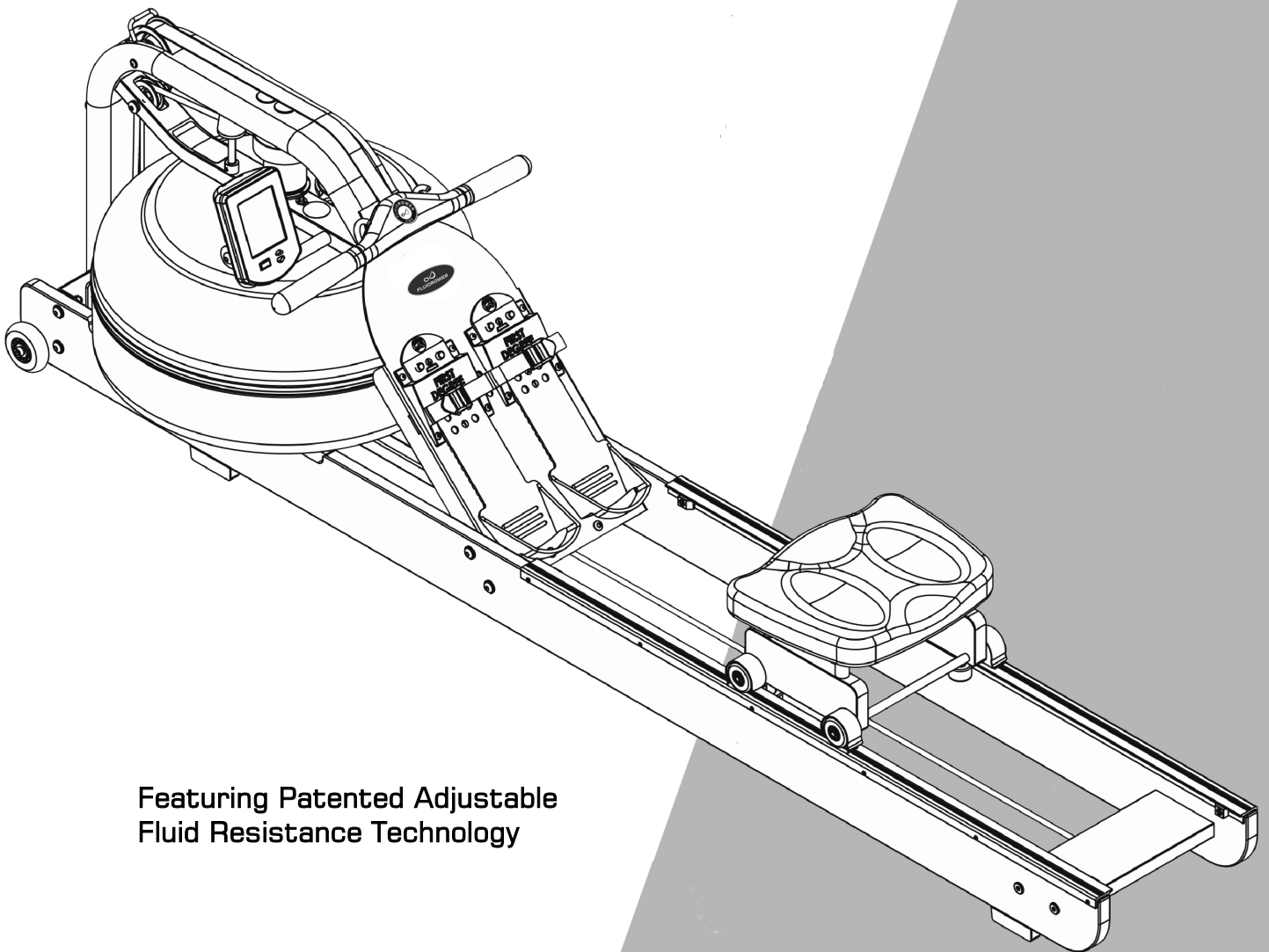


FIRST DEGREE FITNESS  
*Fluid* INNOVATION



## » USER GUIDE

APOLLO PRO XL  
VIKING PRO XL



Featuring Patented Adjustable  
Fluid Resistance Technology

REGISTER YOUR PRODUCT AT [WWW.FIRSTDEGREEFITNESS.COM/SUPPORT](http://WWW.FIRSTDEGREEFITNESS.COM/SUPPORT)



# » Introduction

---

Congratulations on your purchase of the Rower.

FIRST DEGREE FITNESS is proud to present the Rower as a commercial use product featuring patented Adjustable Fluid Resistance.

Our unique combination of precision steel and solid wood frames incorporate only the highest quality American Ash which is collected using the latest technology in sustainable harvesting from renewable plantations.

Note that slight variations of colour in the wooden side rails, seat and cross-member are normal and part of Mother nature's artistry. The wood grain patterns and subtle hues of each Rower makes every unit highly individual and designed to compliment any environment.

Follow all instructions carefully for correct assembly, Tank filling, Water Treatment, service and safety.

Access to our world-wide distributor and service network is available at [www.firstdegreefitness.com](http://www.firstdegreefitness.com)

Check contents of Box 1 and Box 2 to ensure all parts are present and correct prior to assembly.

## Training with the Rower

1. As with any piece of fitness equipment, consult a physician before beginning your Rower exercise program.
2. Follow instructions provided in this manual for correct foot position and basic rowing techniques.
3. For more detailed rowing techniques, please refer to our international website at [www.firstdegreefitness.com](http://www.firstdegreefitness.com)



1. Keep hands and fingers away from moving parts, as indicated in this manual.
2. The Rower can stand vertically for storage. Make sure a secure location is chosen, such as the corner of a room or against a wall on an even, secure surface.

**Note:** If the storage area is not level, an additional fixture is required (sold separately) to keep the Rower stable with vertical storage position.


# » Contents

---

Safety .....	5
Assembly .....	7
Rower Box 1 & 2 Contents .....	8
Assembly Instructions.....	9
Operation Instructions.....	12
Bluetooth Auto-Adjust Monitor.....	15
Monitor and APP Connectivity .....	16
Bluetooth Heart Rate Pairing.....	16
Calibration Procedure.....	17
Detaching the Rower Belt.....	18
Reattaching the Rower Belt.....	19
Maintenance .....	20
Troubleshooting.....	21
Optional Fixture Kit Installation.....	22
International Warranty.....	23



## Safety Information

- Before using this product, it is essential to read this ENTIRE operation manual and ALL instructions. The Rower is intended for use solely in the manner described in this manual.
- UNDERSTANDING EACH AND EVERY WARNING TO THE FULLEST IS IMPORTANT
- As with any piece of fitness equipment, consult a physician before beginning your Rower exercise program.
- Please be aware that any fitness regime, before being undertaken, is best preceded by a physical checkup from a certified physician.
- Injuries to health may result from incorrect or excessive training.
-  **WARNING** Heart rate monitoring systems may be inaccurate. Over exercise may result in serious injury or death. If you feel faint, stop exercising immediately.
- Stop the machine immediately if any signs of excessive wearing is present on the Belts, Pulleys and Bungee cords. Do not use unit until said parts are repaired or replaced.
- Do not allow children unattended access to the machine.
- The Rower can stand vertically for storage. When doing so, please follow the instructions given in the manual.
- Please keep hands away from moving parts, as indicated by the warning label on the Main Frame of your machine.
- If any of the adjustment devices are left projecting, they could interfere with the user's movement.
- Do not store in freezing conditions with water in the Tank as it can expand and crack the components.

## Installation

- Place on a stable, flat surface in a horizontal position during use for maximum stability.
- Check all Belts, Pulleys and Bungee cords regularly for signs of wear, and replace if needed.
- Check regularly and follow all instructions for maintenance as specified in this manual.
- Replace immediately any defective parts and do not operate unit until all repairs are complete.

# » Safety

---





## Proper Usage

- Do not use any equipment in any way other than designed or intended by the manufacturer. It is imperative that FIRST DEGREE FITNESS equipment is used properly to avoid injury.
- Injuries may result if exercising improperly or excessively. It is recommended that all individuals consult a physician prior to commencing an exercise program. If at any time during exercise you feel faint, dizzy or experience pain, STOP EXERCISING and consult your physician.
- Keep body parts (hands, feet, hair, etc.), clothing and jewelry away from moving parts to avoid injury.
- Follow instructions provided in this manual for correct foot position and basic rowing techniques.
- For more detailed rowing techniques, please refer to our International website [www.firstdegreefitness.com](http://www.firstdegreefitness.com)

## Inspection

- DO NOT use or permit use of any equipment that is damaged and/or has worn or broken parts. For all FIRST DEGREE FITNESS equipment use only replacement parts supplied by FIRST DEGREE FITNESS.
- Cables and Belts pose an extreme liability if used when frayed. Always replace any cable or Belt at first sign of wear (consult FIRST DEGREE FITNESS if uncertain).
- EQUIPMENT MAINTENANCE - Preventative maintenance is the key to smooth operating equipment as well as to keep your liability to a minimum. Equipment needs to be inspected at regular intervals.
- Ensure that any person(s) making adjustments or performing maintenance or repair of any kind is qualified to do so.
- DO NOT ATTEMPT TO USE OR REPAIR ANY ACCESSORY APPROVED FOR USE WITH THE FIRST DEGREE FITNESS EQUIPMENT WHICH APPEARS TO BE DAMAGED OR WORN.
- Check all Belts, Pulleys and Bungee Cords regularly for signs of wear, and replace if needed.
- Check regularly and follow all instructions for maintenance as specified in this manual.
- Replace immediately any defective parts and do not operate unit until all repairs are complete.

## Operating Warnings

- Keep children away from the equipment. Parents or others supervising children must provide close supervision of children if the equipment is used in the presence of children.
- Do not allow users to wear loose fitting clothing or jewelry while using equipment. It is also recommended to have users secure long hair back and up to avoid contact with moving parts.
- All bystanders must stay clear of all users, moving parts and attached accessories and components while machine is in operation.
-  **WARNING** Do not insert fingers into Tank!
-  **CAUTION** After rowing exercise, please allow the unit to sit for 5 minutes before standing it up for storage.
-  **CAUTION** Do not fill past the calibration mark as indicated on the Tank level sticker or water spillage can occur.
-  **WARNING** Never operate this Rower without feet properly secured in Footstraps, or without the sliding portion of the Slider Footplate locked into position!

# » Assembly

## Product Specifications

**Product Class:** HC

**Braking System:** Speed Independent

**Product Net Weight:** APOLLO PRO XL - 36.04kg (79.45lb) / VIKING PRO XL - 30.84kg (67.99lb)

**Product Gross Weight:** APOLLO PRO XL - 44.64kg (98.41lb) / VIKING PRO XL - 38.86kg (85.67lb)

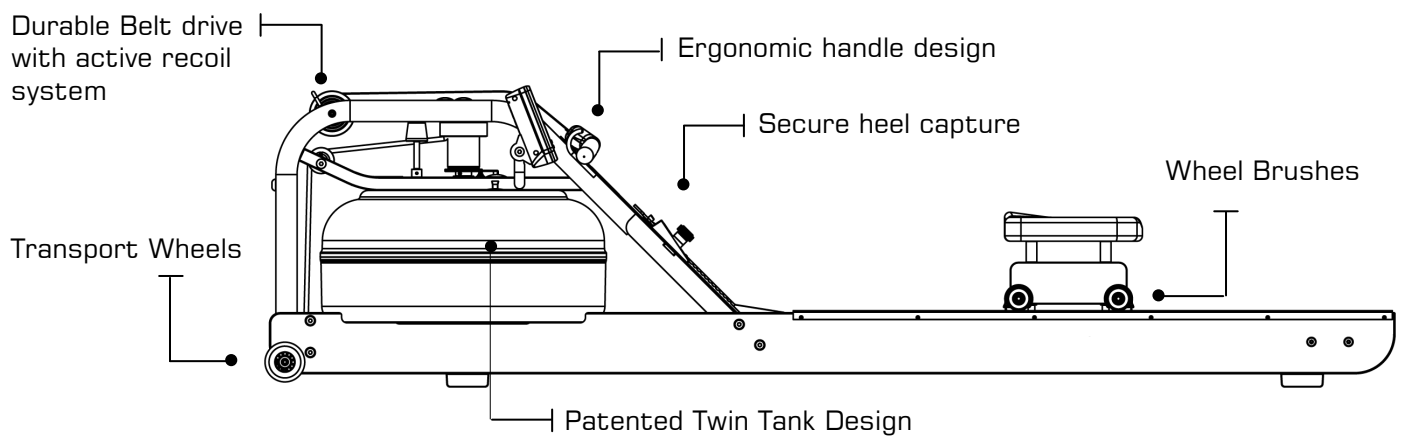
**Minimum Safe Operating Surface Area:** 333cm (131.09") x 174cm (68.50")

**Dimensions:** 2130mm (83.86") Length x 540mm (21.26") Width x 560mm (22.04") Height

**Maximum User Weight:** 150kg (330lb)

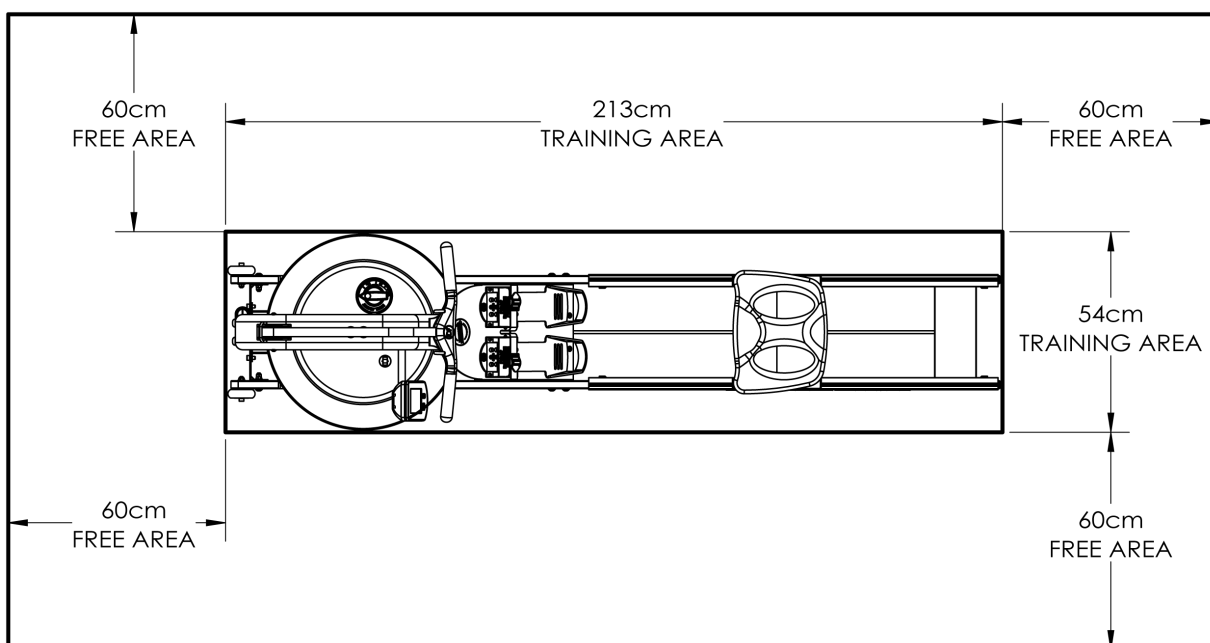
**Compact Footprint:** 2730mm x 1140mm or upright 560mm x 540mm

## Product Highlights



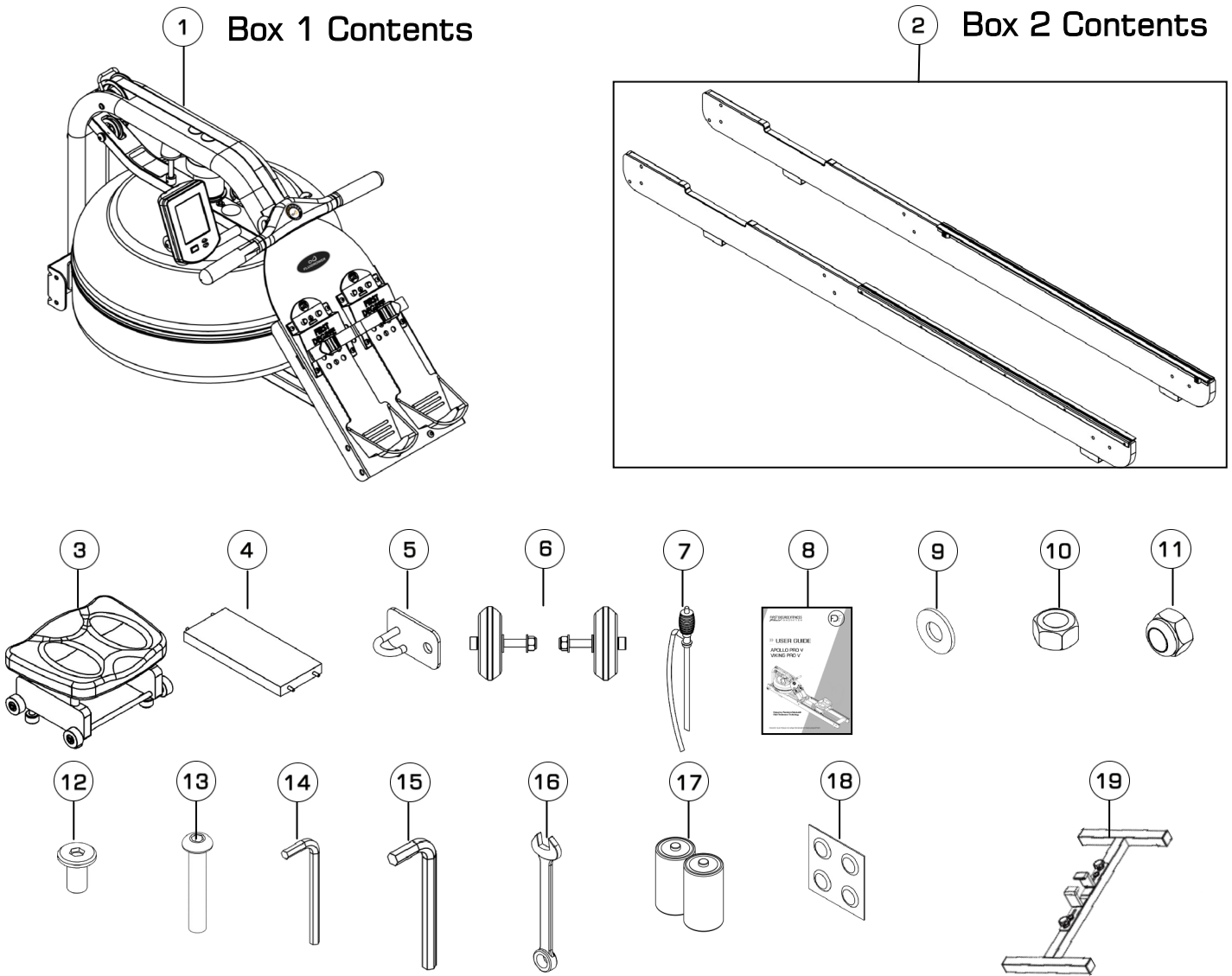
The live area shall be not less than 60cm (23.62") greater than the training area in the directions from which the equipment is accessed. The live area must also include the area for emergency dismount.

## Live area and Training area



Note: Rower is not suitable for therapeutic purposes.

# » Rower Box 1 & 2 Contents



Item	Qty.	Description	Item	Qty.	Description
1	1	Main Frame	5	1	Bungee Hook Mount
2	2	Left / Right Side Rail	6	2	Transport Wheel Assembly
3	1	Rower Seat	7	1	Siphon
4	1	Rear Brace	8	1	User Guide
<b>Hardware KIT</b>					
9	16	M8 Washer	14	1	5mm Allen Key
10	8	M8 Standard Nut	15	1	6mm Allen Key
11	8	M8 Nyloc Nut	16	1	13mm Spanner
12	4	M6x15mm Bolt	17	2	D Cell Battery
13	8	M8x45mm Bolt	18	4	Water Treatment Tablet
<b>Optional Equipment (Not Included)</b>					
19	1	Optional Stand (not included)			

# » Assembly Instructions

## STEP 1

### Installing the Rear Brace and Transport Wheel Assembly to Side Rail

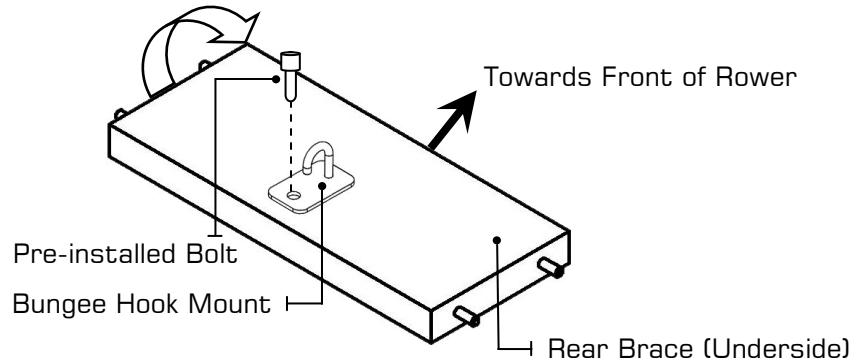
#### REQUIRED

- Side Rail Left / Right [2]
- Rear Brace [4]
- Bungee Hook Mount [5]
- Transport Wheel Assembly [6]
- 4x M6x15mm Bolts [12]

#### ! WARNING

Rotate Rear Brace to correct orientation before assembly onto Side Rails

- a) Start with the **Rear Brace** and on the underside you will find a **Pre-installed Bolt**. From the hardware kit, take the **Bungee Hook Mount** and install it onto the Rear Brace as shown. Note the orientation of the Brace and hook must be correct in order to hold the end of the **Bungee Shock Cord** as depicted by the arrow in the illustration, which points toward the front of Rower.



#### ! WARNING

Note Transport Wheels must be mounted on the outside of Side Rails as shown on the right.

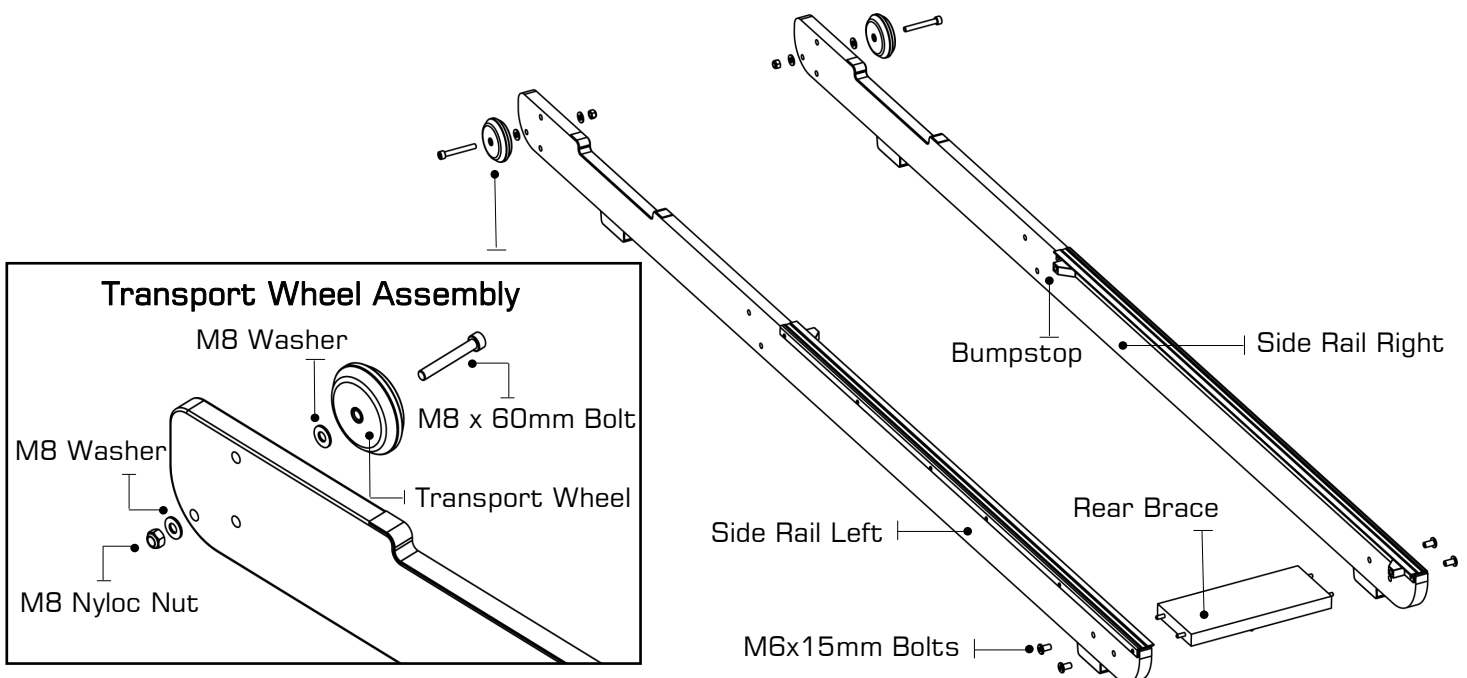
Do not over tighten the Transport Wheel Axle as it may inhibit Transport Wheel rotation.

- b) Next, connect the **Side Rail Left** and **Side Rail Right**[2] using **4x M6x15mm Bolts**[12] and **Rear Brace**[4]. **DO NOT TIGHTEN.**

**Tip:** Bumpstops facing inside of rail for correct assembly orientation.

- c) Once the Rear Brace and Side Rails are assembled, mount the **Transport Wheel Assembly**[6] onto the **Left/Right Side Rails**[2].

**Note:** One Washer on outside and one Washer on the inside of the Side Rail.



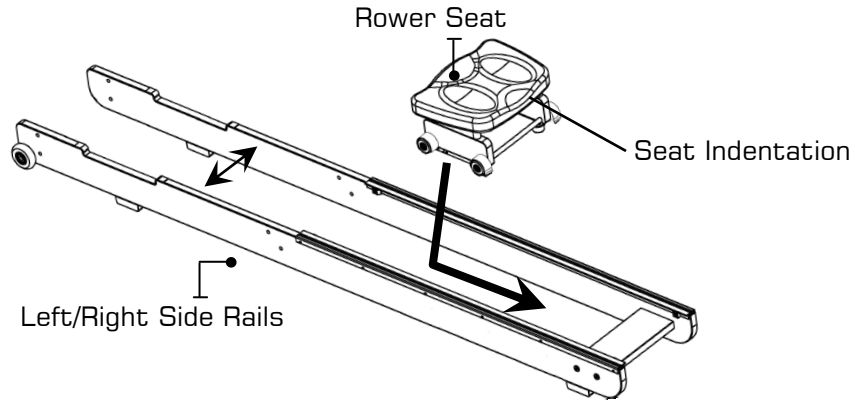
# » Assembly Instructions

## STEP 2 Mounting Rower Seat and Upper Main Frame

### REQUIRED

- Left/Right Side Rails [2]
- Rower Seat [3]

To install the Rower Seat, spread the **Left/Right Side Rails[2]** slightly and drop the **Rower Seat[3]** into the track.  
**Note:** Seat Indentation must face rearward.



## STEP 3

### REQUIRED

- Main Frame [1]
- Side Rails Assembly [2]
- 16x M8 Washers [9]
- 8x M8 Standard Nuts [10]
- 8x M8 Nyloc Nuts [11]
- 8x M8 x 45mm Bolts [13]

Install the **Main Frame[1]** onto the **Side Rail Assembly[2]** as shown. You will need **8x M8x45mm Bolts[13]**, **16x M8 Washers[9]**, **8x M8 Standard Nuts[10]** and **8x M8 Nyloc Nuts[11]**.

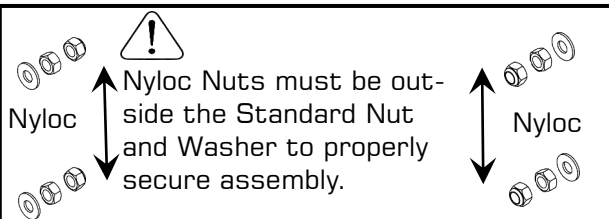
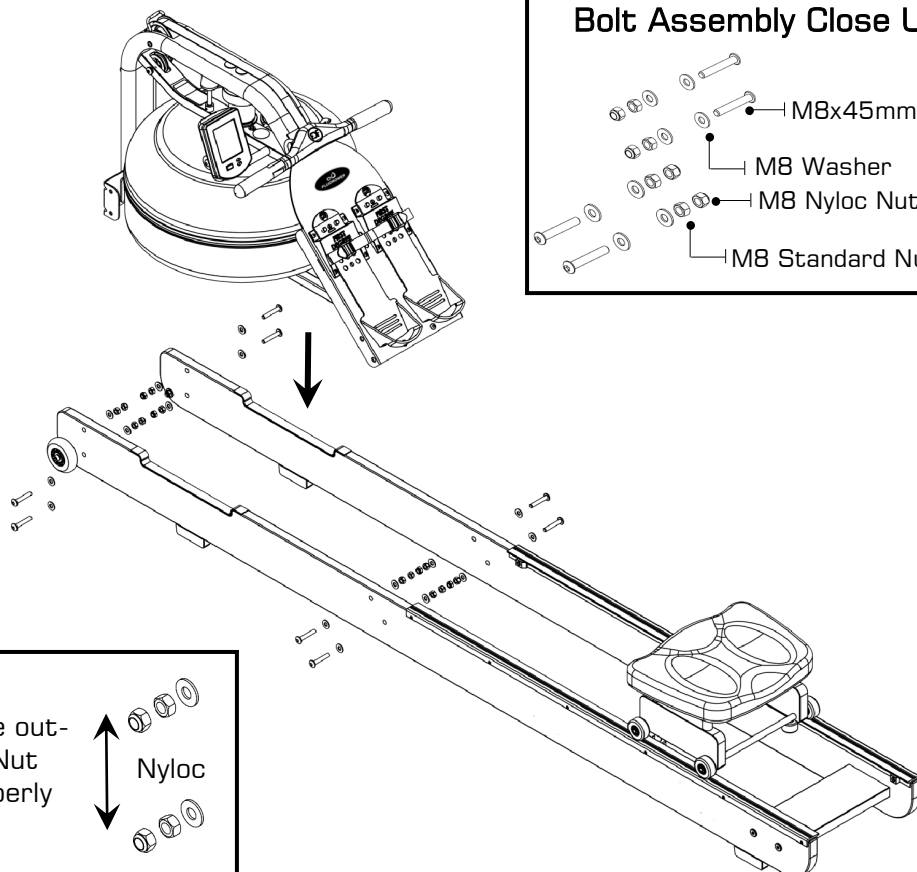
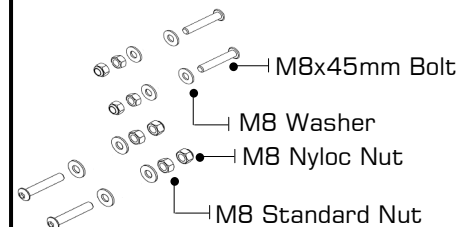
Secure the front Lower Bracket first, then the Footboard but **DO NOT TIGHTEN**. You may find that the Lower Bracket Bolts can be difficult to access. You can tighten these Bolts completely once the Rower is standing in the vertical position so for the moment, simply align and loosely thread lower Bolts/Nuts.

### CAUTION

Nyloc Nuts must be outside the Standard Nut and Washer to properly secure assembly.

**Note:** Clean Wheels and tracks weekly with a soft dry cloth in order to decrease the rate of wear on both Wheels and track.

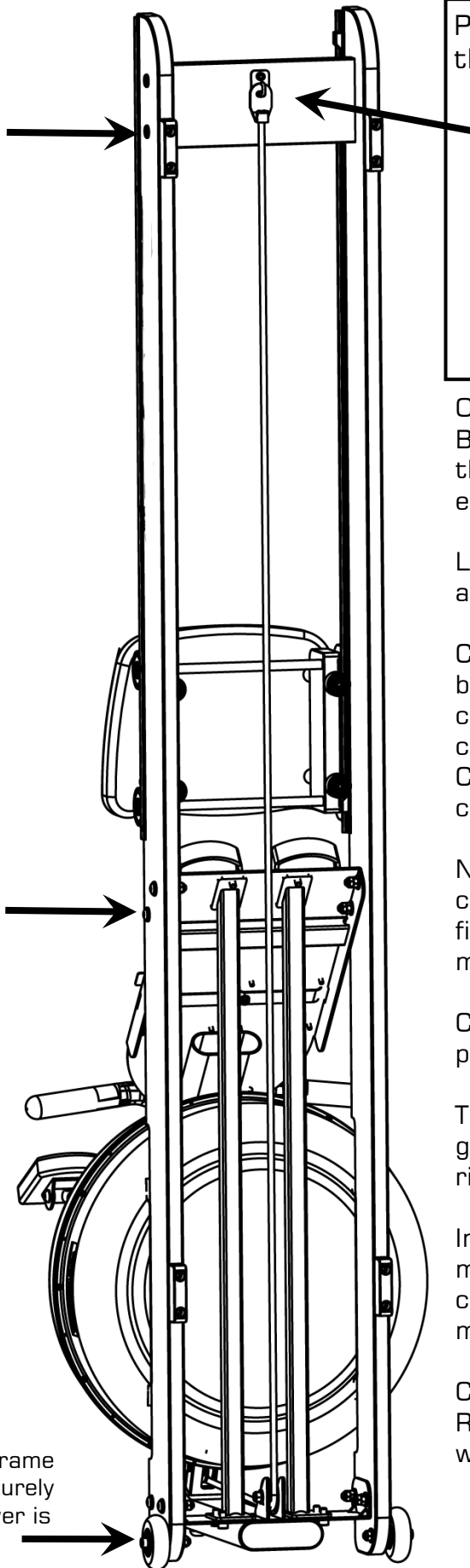
### Bolt Assembly Close Up



# » Assembly Instructions

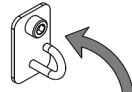
## STEP 4

### Completing the Rower Assembly



Tighten Frame Bolts securely once Rower is standing.

Pull Bungee Cord and Hook Bungee End onto the **Bungee Hook Mount[5]** as shown.



Do not cut Bungee tie wrap before Bungee Cord is attached to rear of Rower as shown here.

Once the Bungee Cord is attached to the Rear Brace, tighten the Bolts holding the Footboard, the Main Frame to Side Rail Bolts as they are easier to access from the vertical position.

Lower the Rower back to the Horizontal position and test for proper Bungee recoil.

Check Seat Rollers/Runners for dirt or debris before sitting on the Rower seat. Small objects captured between the Seat Rollers and Runners can damage the Wheels or running surface. Check Runners for debris prior to each use and clean regularly.

Note: The Rower Frame Bolts require periodic checking for tightness. Do this at the end of the first month of use and again after every 12 months

Choose a suitable location when standing the product for storage.

The Rower Frame can be polished with any high grade furniture polish to further highlight the rich luster of the wood finish.

Install supplied 2x D Cell Battery and check monitor function. Details regarding can be found in the Monitor section of this manual.

Choose a flat, level surface on which to use your Rower, to avoid rocking and potential premature wear.



# »» Operation Instructions

## »» Adjustable Resistance (AR) Tank

The Adjustable Resistance (AR) Tank, developed and patented by FIRST DEGREE FITNESS, offers a true multi-level experience. Water is moved between the "storage" and "active" chambers of the AR Tank. Your new Rowing Ergometer can adapt - at the turn of a dial - to the resistance preferred by each user.

### Getting Started

To achieve minimum resistance, select "1" on the Tank adjuster. **It takes 10 strokes to fill the central (storage) Tank, leaving a minimal amount of water in the outer (active) Tank. This process is always required if minimum resistance is desired.** Row hard at a steady pace (20 to 25 strokes per minute [SPM]) and put some effort into the stroke, ensuring that good form is maintained. You can make adjustments to the resistance level while you row. Your AR Tank will adapt almost instantly to increases in resistance but will take up to 10 strokes to reduce the effort required, as the central (storage) Tank fills up.

### Developing Your Routine

Once you have found a level that gives you the exercise required, changes can be made to SPM and to stroke intensity to further vary your energy input. Interval training is used by most Rowers, where a period of low intensity is combined with short intervals of high intensity. Your FDF Rowing Ergometer allows for changes 'on the fly', to achieve multi-level resistance profiles during a single workout. For more information on exercise routines, please visit our website at [www.firstdegreefitness.com](http://www.firstdegreefitness.com)

## »» Tank Filling and Water Treatment Procedures

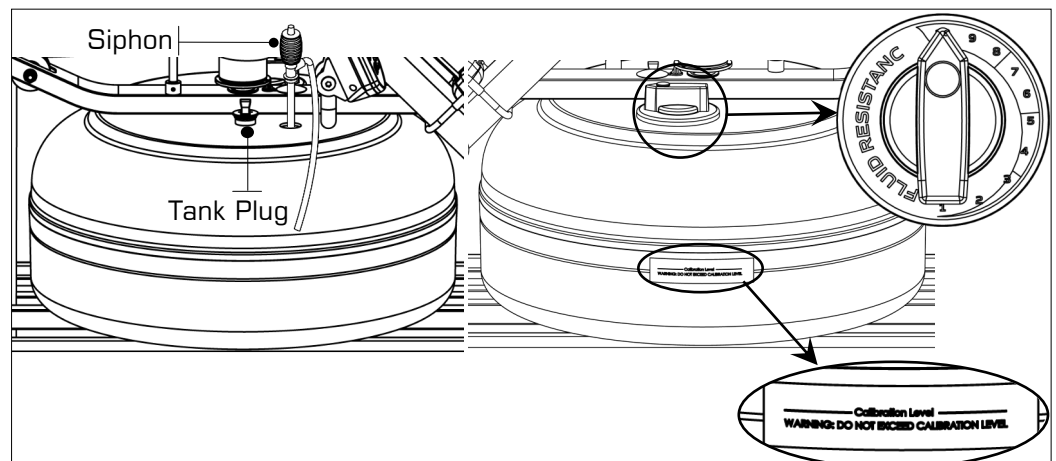
**REQUIRED**  
Siphon [7]

**CAUTION**  
Resistance adjuster must be set to '10' to allow for accurate filling capacity.

**WARNING**  
Do not overfill the Tank beyond the maximum indicated level of 20 liters. Refer to the Tank Level Decal on the lower side of the Tank.

**NOTE**  
In areas where tap water quality is known to be poor, FDF recommends the use of distilled water.

- Remove Tank Plug from the top of the Tank.
  - Place a large bucket of water next to the Rower. Position the Siphon[7] with rigid hose in the bucket, and flexible hose in the Tank.
- Note:** Make sure small breather valve on siphon is closed before filling.
- Squeeze siphon to begin filling. **Important:** Do not overfill Tank
  - When full, open the valve on the top of the siphon to allow excess water to escape.
  - Once filling is completed follow the water treatment schedule below, then replace the Tank Plug.



- 1 : This setting keeps a portion of the water in reserve creating light resistance.
- 10 : This setting allows the maximum amount of water to reach the flywheel for heaviest resistance .

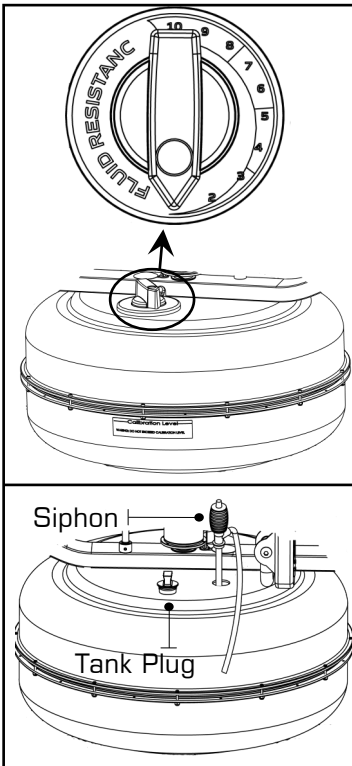
### INITIAL WATER TREATMENT

Add 1x Water Treatment Tablet per full Tank. **DO NOT, UNDER ANY CIRCUMSTANCE, USE A WATER TREATMENT TABLET OTHER THAN THOSE SUPPLIED WITH YOUR UNIT.** Your unit purchase includes 4x Water Treatment Tablets, which is sufficient for several years of use. To purchase additional Water Treatment Tablet, please consult your nearest regional dealer/distributor or check our website at [www.firstdegreefitness.com](http://www.firstdegreefitness.com)



## »» Operation Instructions

### »» Removing/Changing Tank Water



- Set Adjuster Knob to "1"
- Row at least ten strokes to fill the storage reservoir as completely as possible.
- Remove Tank Plug.
- Insert rigid end of siphon into the tank, and flexible hose into a large bucket.
- Drain tank (approx. 40% of water will remain) and then refill following directions for Tank filling as described in the Tank Filling section of this manual.

#### Note:

- ⊙ The valve on top of the siphon must be closed to allow proper drainage.
- ⊙ Water treatment will preclude the need to change tank water if the treatment schedule is maintained. Additional Water Treatment Tablet is required only when discoloration appears in the water.
- ⊙ Exposure to full sunlight reduces the life of the Water Treatment Tablets. Storing the Rower away from direct sunlight will extend the time between water treatments.
- ⊙ Approximately 40% of tank water will remain. It is not possible to completely drain the A/R tank without disassembly.

**NOTE:** For simple, fast and efficient filling and/or drainage of the Tank, we have a battery operated pump (rechargeable via USB) available as an option. We recommend this to any commercial facility, with multiple units, that has a need to drain and refill Tanks from time to time. To purchase, contact your nearest First Degree Fitness distributor or go to our website on [www.firstdegreefitness.com](http://www.firstdegreefitness.com) for details.

### »» Long Term Water Treatment and Basic Operation

**Do not use any water treatment other than the tablets supplied with this unit.** For replacement tablets, contact your local First Degree Fitness distributor. Water Treatment schedules for the ROWER will vary according to the tanks exposure to sunlight, but expect 8-12 months near a bright, sunlit window and 2 years or more for a darker location. At the point of finding the water slightly cloudy, add a Water Treatment Tablet.

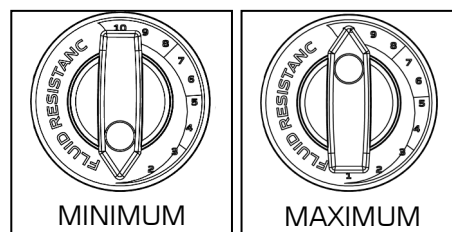
#### ⚠ CAUTION

It is strongly recommended that a drop cloth be used under the Tank whenever the Tank Plug is opened for water treatment.

### »» How to Adjust Resistance

Select your preferred Fluid Resistance.

NOTE: The Monitor level will automatically reflect the Fluid Resistance selected at the tank.

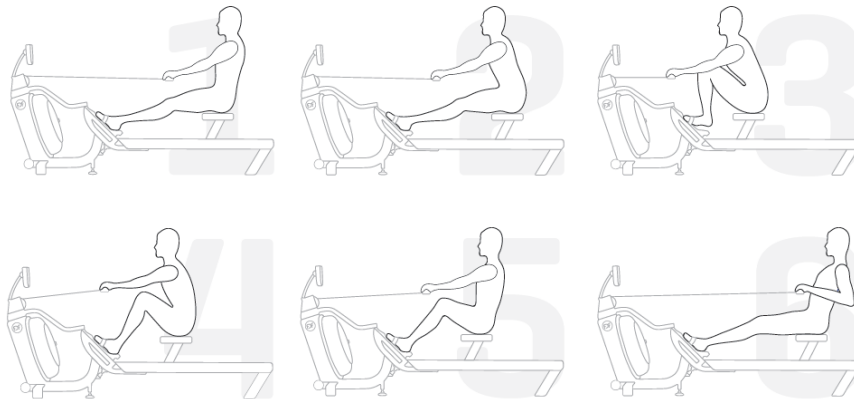


When adjusting resistance level, allow two strokes to feel an increase and ten strokes to feel a decrease.

## »» Operation Instructions


### »» Start Rowing

There are six phases to completing a rowing stroke



1. Sit with straight legs and back, leaning forward slightly at the hips with arms out straight and hands level with the lower ribs. Swing back.
2. Legs and back straight, leaning slightly forward from the hips, arms out in front. Lean and slide forward.
- Note:** Hands should now be around your knees, keeping legs straight.
3. Legs come forward, aiming to get the shins vertical. Back is still straight, and posture leaning slightly forward with arms still out front. Now drive hard, this is the CATCH.
4. Knees partially straightened so seat is now at mid-point of travel, back and arms still straight. Maintain the stroke.
5. Knees are nearly straight, back is still straight but now leaning slightly back from the hips. Arms straight. Now squeeze through.
6. Legs now fully extended. Back straight and leaning slightly back, now pull with the arms so they are close to the chest, forearms horizontal and elbows close in to the rib cage. This is the FINISH.

For more information on correct rowing technique and workout tips visit our website [www.firstdegreefitness.com/indoor-rowing-technique](http://www.firstdegreefitness.com/indoor-rowing-technique)

 **CAUTION** Always consult a doctor before beginning an exercise program. Stop immediately if you feel faint or dizzy.

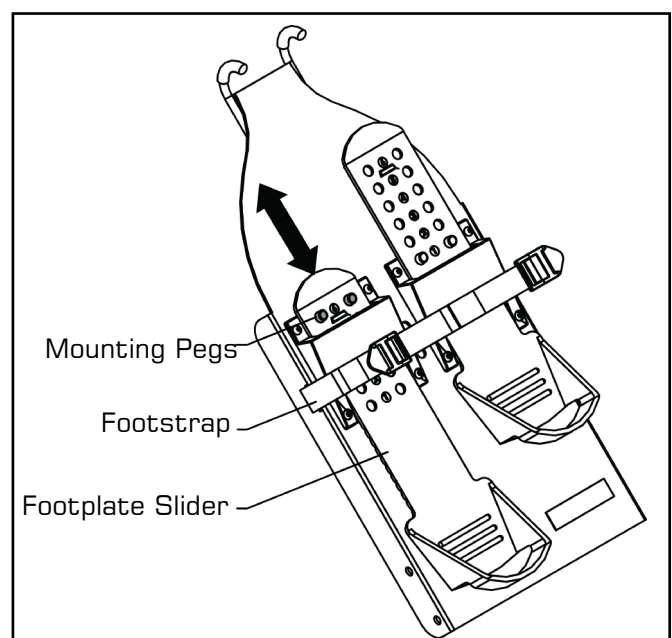
### »» Adjust Footplates


The Footplate Slider accommodates most foot sizes, and is designed to keep your feet securely in place as you row. The feet should be positioned so that the foot strap covers the section of the foot naturally bend as row. (e.g. The board of the foot)

#### TO ADJUST:

Lift the top of the Footplate from the mounting pegs and slide vertically between 1-6 to suit your foot length. Secure by hooking the Footplate back onto the mounting pegs and pushing down firmly to lock it into position. Place feet on the foot plates and tighten the Footstraps to ensure your feet sit firmly against the heel captures.

**Note:** The heel capture should bend to allow your foot to pivot naturally as you row.



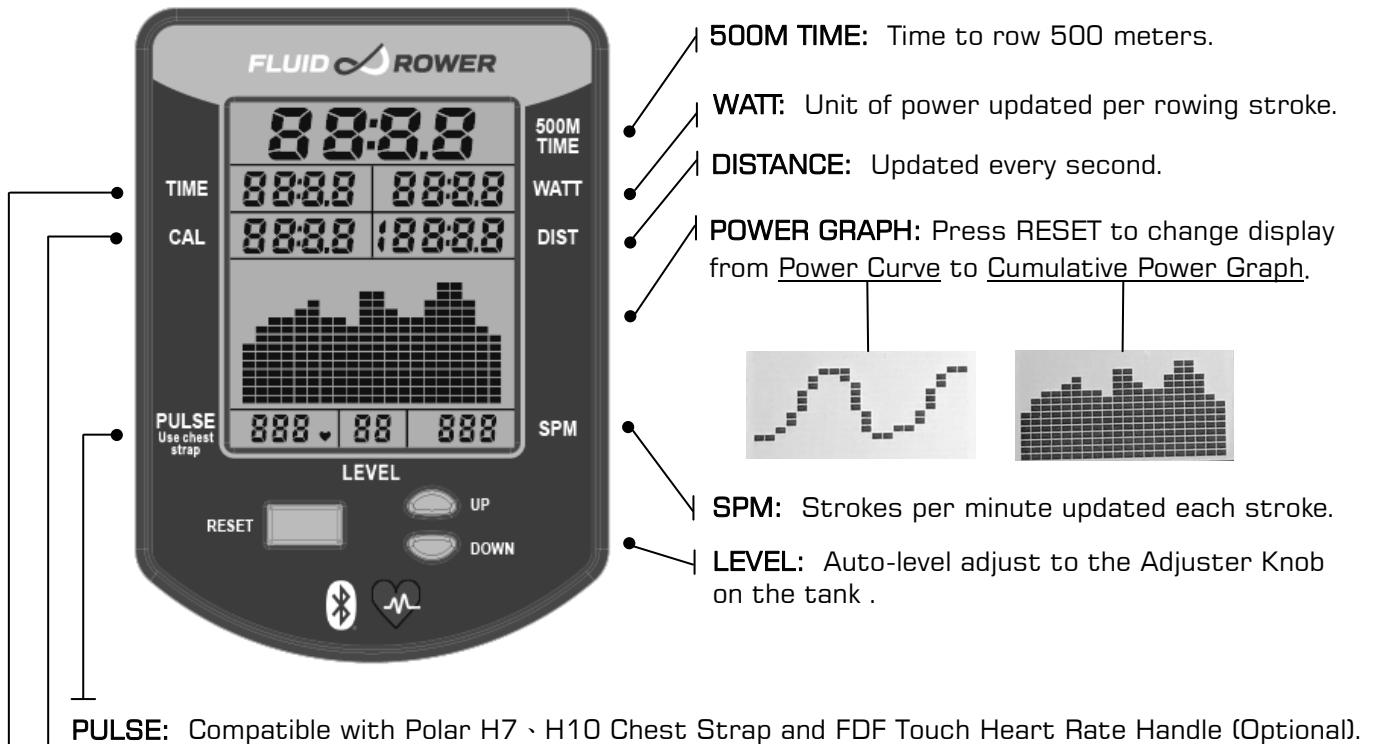
 **WARNING:** Never operate this Rower without feet properly secured in Footstraps, or without the sliding portion of the Footplate Slider locked into position!

# Bluetooth Auto-Adjust Monitor

**Auto Start:** Commence exercise to activate.

**Reset all values:** Press and hold RESET button for 3 seconds.

**Auto Power Down:** Over 5 minutes. All values revert to zero after restart.




**WATT:** Measures peak power in watts, calculating the strength and acceleration provided to accurately measure a user's power.

**TRAINING DATA:** Data gathered from each workout is displayed in a power curve and cumulative power graph, enabling real-time comparisons for effective progressive training.

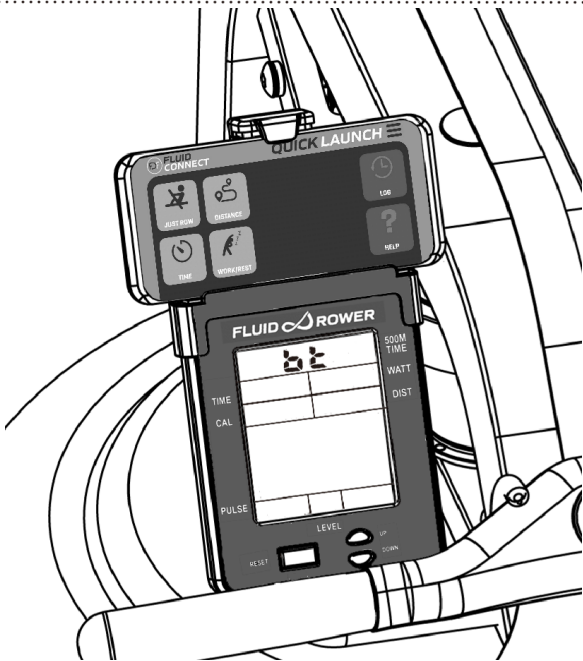
**AUTO ADJUST LEVEL:** Built in potentiometer automatically adjusts the monitor's resistance level according to the position of the Adjuster Knob on the tank.

**BLUETOOTH CONNECTIVITY:** Each Rower is fitted with the most advanced Monitor technology, enabling Bluetooth connectivity with any compatible smart device. Designed to integrate with rowing and fitness apps, the Monitor will assist with effective training progression, capturing and comparing data for the competitive individual. Including FDF Rowing APP available via FDF Website. It is compatible with 3rd party APP and Software Update via Bluetooth.

**NOTE:** Heart Rate Chest Strap and Touch Heart Rate Handle is sold separately.

 <b>WARNING:</b>	<p>Heart rate monitoring systems may be inaccurate, Over exercising may result in serious injury or death. If you feel faint stop exercising immediately and seek professional medical advice.</p>
--	--

## » Monitor and APP Connectivity



1. Download the "Fluid Connect" App on the [App store] or [Google Play].

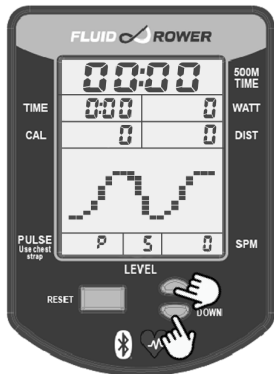


2. While the Console is ON, the Bluetooth will start scanning to link to the Phone/Pad.
3. Turn on the FLUID CONNECT app in you phone.
4. Push any work out icon, the APP will seach the available console near by.
5. Choose the console that you wish to link.
6. After the console link to the APP, the display of the console will only show BT on the screen.
7. After the console link to the APP, the display of the console will only show BT on the screen.

## » Bluetooth Heart Rate Pairing

NOTE: Heart Rate Chest Strap and Touch Heart Rate Handle is sold separately.

### STEP 1



Press and hold  
「UP」 and 「DOWN」  
for 3 seconds.

### STEP 2



The Monitor will now display  
1 minute countdown time.

**Note:**  
Please turn on you heart  
rate device and get ready  
to start pairing.

### STEP 3



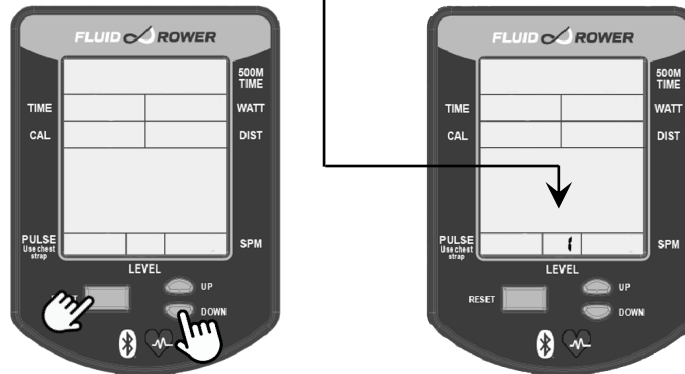
The Monitor will automatically  
pair with the nearest Bluetooth  
heart rate device.  
When pairing is complete, the  
Monitor will jump back to the  
initial screen and begin to  
display the heart rate.

Heart Rate

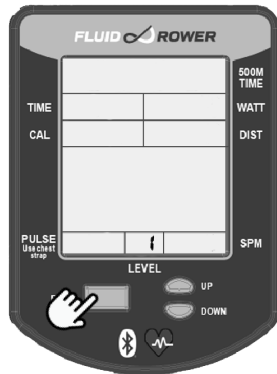
# » Calibration Procedure

## STEP 1

Press and hold 「RESET」 and 「DOWN」 for 5 seconds.  
Display will show " Level 1 "

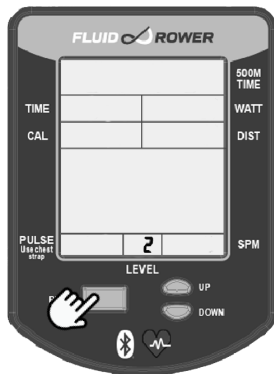
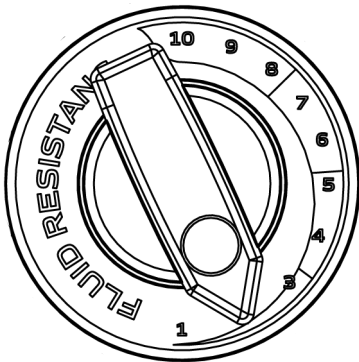


## STEP 2



Turn handle to Level 1.  
Press Reset.  
Display will now show Level 2.  
Level 1 Calibration is complete.

## STEP 3



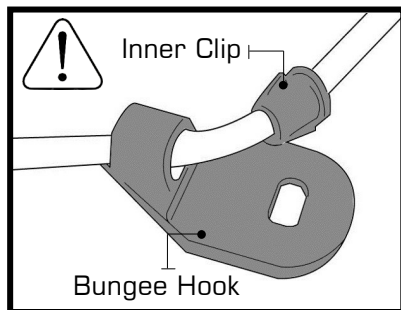
Turn handle to Level 2.  
Press Reset.  
Display will now show Level 3.  
Level 2 Calibration is complete.

## STEP 4

Repeat for 3,4,5,6,7,8,9,10

Level 10 Press Reset. Level 10 remains.  
Calibration is complete.

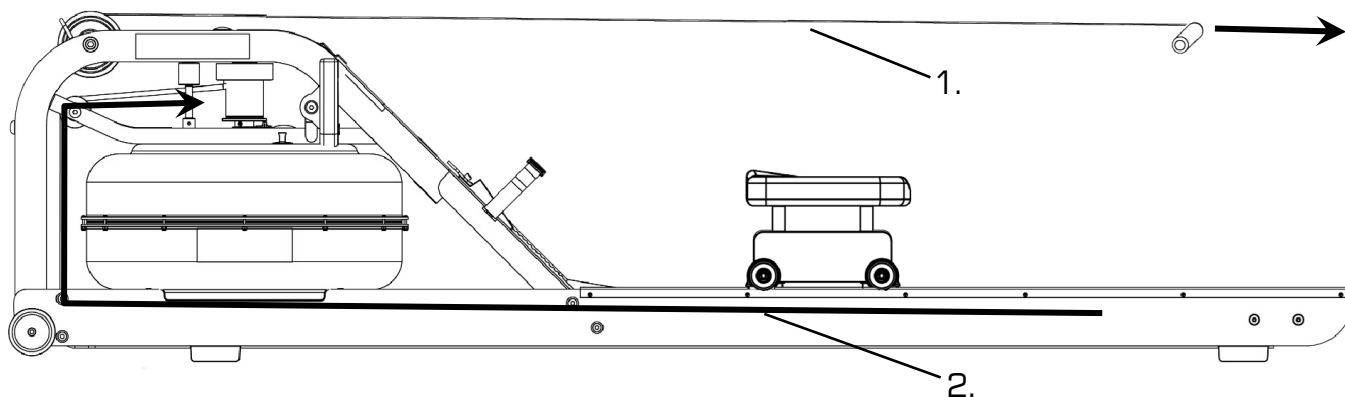
## » Detaching the Rower Belt



1. To detach Belt, simply pull beyond the range of the normal rowing stroke until the Belt detaches from the Belt Bungee Pulley.

**Tip:** You'll hear the Velcro separating just before the Belt detaches.

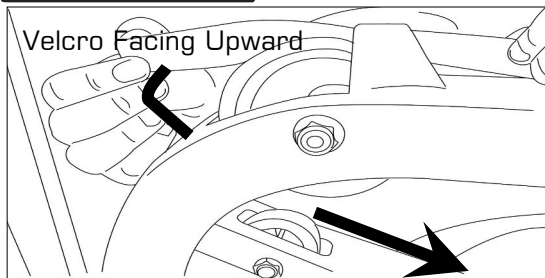
2. Unhook the Bungee Shock Cord from the Rear Brace. Then, push out the Inner Clip from the Bungee Hook. Pull the Bungee through the Inner Clip until free. This will allow for the Bungee Shock Cord to be threaded completely out of the Main Frame and up to the Belt Bungee Pulley where it will be re-attached once the Rower Belt is in the proper position.





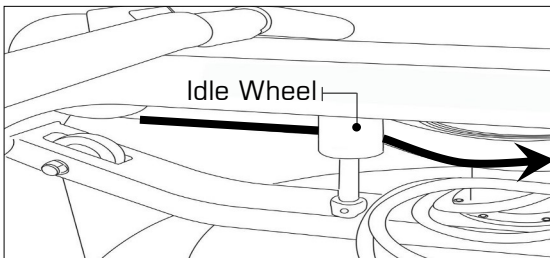
## » Reattaching the Rower Belt

### STEP 1



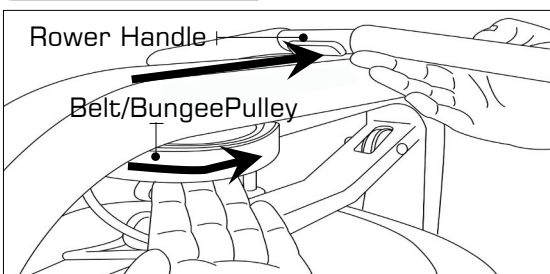
Begin reattaching the Rower Belt by threading around the Rower Belt Pulley with the Velcro side facing upward as illustrated.

### STEP 2



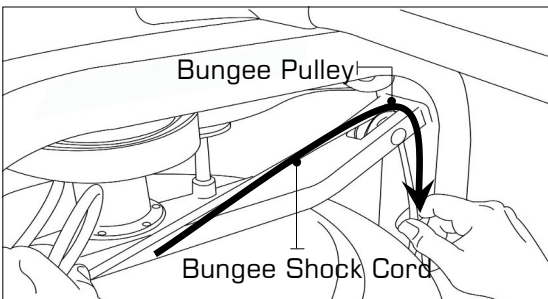
Next, thread the Belt around the Idle Wheel as shown. Once around the Idle Wheel, attach the Rower Belt to the Belt/Bungee Pulley. There is an obvious "lip" at the attachment point.

### STEP 3



Wind the Rower Belt onto the Belt/Bungee Pulley until the Rower Handle is as it's furthest forward position.

### STEP 4

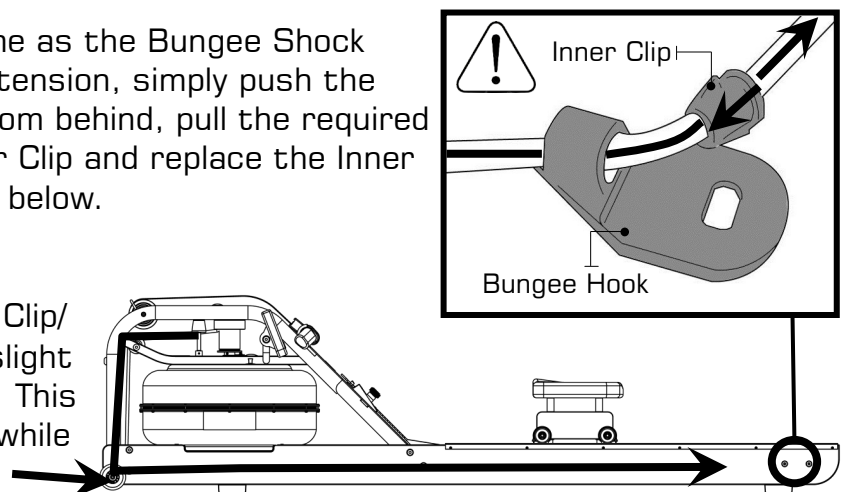


Rethread the Bungee Shock Cord (on opposite side of the Idle Wheel) back through the Bungee Pulleys and tie off at the Attachment Point.

### STEP 5

Recoil tension will decrease over time as the Bungee Shock Cord stretches. To increase recoil tension, simply push the Inner Clip out of the Bungee Hook from behind, pull the required amount of Bungee through the Inner Clip and replace the Inner Clip into the Bungee Hook as shown below.


**Hint:** Before reattaching the Inner Clip/ Bungee Hook, tie a slip knot under slight tension at the lower Bungee Pulley. This will keep the Bungee under tension while reassembling the Bungee Hook.



## » Maintenance

All preventive maintenance activities must be performed on a regular basis. Performing routine preventive maintenance actions can aid in providing safe, trouble-free operation of all FIRST DEGREE FITNESS equipment.

FIRST DEGREE FITNESS is not responsible for performing regular inspection and maintenance actions for your machines. Instruct all personnel in equipment inspection and maintenance actions and also in accident reporting and recording.

 **CAUTION** Wipe and clean the Tank, Rails, and the Seat Wheels with clean water. Do not use any chemical cleaner.

Item	Time Frame	Instructions	Notes
Seat Rails and Wheels	Weekly	Wipe down Side Rails and Seat Wheels with lint free cloth.	
Frame	Weekly	Wipe down Frame with lint free cloth.	
Tank Shell	Weekly	Only use water and a clean cloth to wipe the Tank Shell.  Do NOT use any chemical cleaner to wipe the Tank Shell	
Tank and Water Treatment	12 months to 2 years	Follow instructions as specified in the "Water Treatment Procedure" section of this manual.	
Bungee Cord	Check every hundred hours for correct tension and for signs of wear.	The Bungee Cord should last for many years. If a Bungee Cord change is required, please contact your local service representative or go online at <a href="http://www.firstdegreefitness.com">www.firstdegreefitness.com</a> for further details.	
Rowing Belt	Check every hundred hours for correct tension and for signs of wear.	The Rowing Belt should provide many years of trouble free use. If a Rowing Belt change is required, please contact your local service representative or go online at <a href="http://www.firstdegreefitness.com">www.firstdegreefitness.com</a> for further details.	



## » Troubleshooting

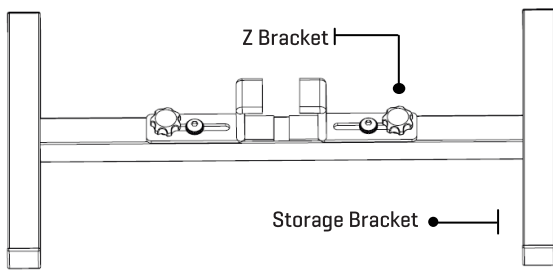
Fault	Probable Cause	Solution
Water changes color or becomes cloudy.	Rower is in direct sunlight or has not had water treatment.  Local tap water is of poor quality.	Change Rower location to reduce direct exposure to sunlight. Add Water Treatment or change Tank water as directed in the Water Treatment section of this manual. Consider using distilled water to refill Tank.
Rower Belt slipping off Belt/ Bungee Pulley.	Bungee not under enough tension.  Recoil not strong enough	Tighten Bungee Cord following the instructions in "reattaching the Rower Belt" section of this manual.
Inconsistent readings on the Rower Monitor for 500meter split time and SPM (strokes per minute).	Sensor gap  Faulty Sensor  Sensor has moved out of position  Wiring harness	Use the back cover of the monitor as a "Gap Tool" to check the gap between Sensor Head and Magnetic Ring, or see if the Sensor Head has moved out of position.  Please contact your nearest FDF customer service center for details
The Monitor does not illuminate after battery installation.	Batteries installed incorrectly or need replacing.	Replace/reinstall batteries in correct position and try again. If the LCD screen fails to illuminate, try rotating the batteries slightly in the monitor. If this fails, contact your local service center.
The Monitor screen illuminates, but does not register when rowing.	Loose or failed connection.  Sensor gap too wide	Check that the monitor lead is connected properly. If it is connected then contact your local service center. Check Sensor gap.
The Monitor LEVEL is not synchronized with the Tank LEVEL.	Monitor LEVEL needs to be recalibrated.	Please refer to "Calibration Procedure" page 16 of this manual.

# » Optional Fixture Kit Instructions

A Fixture Kit for upright storage can be purchased separately.

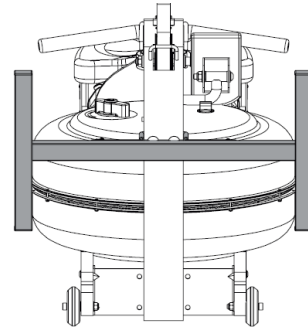
## STEP 1

Install the Z Bracket onto the Storage Base.  
Note: Do not tighten the Knob and the Bolt.



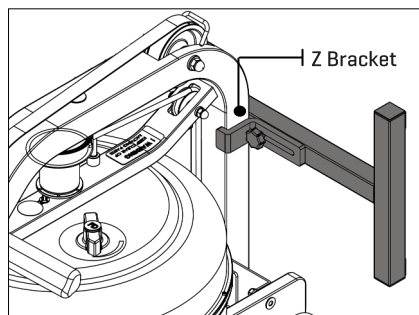
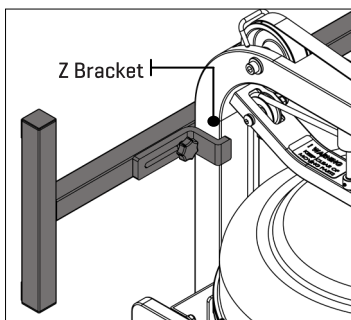
## STEP 2

Install the Bracket onto the Rower as shown.



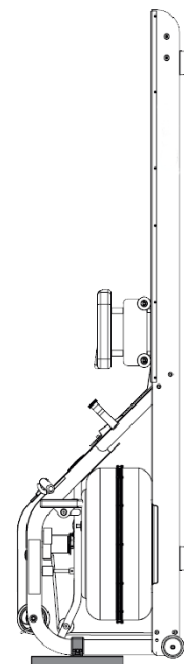
## STEP 3

Tighten the Z Bracket Knob to fix to the Rower.  
Note: Ensure the Z Bracket is Under the middle crossbar secure



## STEP 4

Stand the Rower up vertically with the Main Frame on the floor. Using the 8mm Allen Wrench tighten the Bolts.



## COMMERCIAL USE

FIRST DEGREE FITNESS Limited warrants that the **APOLLO PRO XL / VIKING PRO XL (model APPX / VKPX)**, purchased from an authorized agent and in its undamaged original packaging, is free from defects in materials and workmanship. FIRST DEGREE FITNESS Limited or its agent will, at their discretion, repair or replace parts that become defective within the warranty period, subject to the specific inclusions and exclusions below.

### **Main Frame – 10 Year Limited Warranty**

FIRST DEGREE FITNESS will repair or replace the Apollo Metal Main Frame / Viking Wooden Main Frame of the Rower should it fail due to any defect in materials or workmanship within 10 years of the original purchase. Warranty does not apply to frame coating.

### **Polycarbonate Tank & Seals – 5 Year Limited Warranty**

FIRST DEGREE FITNESS will repair or replace the polycarbonate Tank or seals should they fail due to any defect in materials or workmanship within 5 years of the original purchase.

### **Mechanical Components (of a non-wearing nature) – 2 Year Limited Warranty**

FIRST DEGREE FITNESS will repair or replace any mechanical component should it fail due to any defect in materials or workmanship within 2 years of the original purchase.

#### **Specific Inclusions**

- Seat Frame
- Seat Rails
- Shaft and Impeller Assembly

### **All Other Components (of a wearing nature) – 1 Year Limited Warranty**

FIRST DEGREE FITNESS will repair or replace any component should it fail due to any defect in materials or workmanship within 1 year of the original purchase.

#### **Specific Inclusions**

- Bungee Recoil Cord
- Hand Grips & Footstraps
- Polyester Rowing Belt
- Seat and Seat Runners
- All Pulleys, Rollers & Bearings
- All rubber components
- Monitor & speed Sensor (excluding replaceable batteries)
- Footplates (pivoting & sliding)

#### **General Exclusions**

- Damage to the finish of any part of the machine
- Damage due to neglect, abuse, incorrect assembly or use of the machine
- Any charges for freight or customs clearance associated with the return or dispatch of parts
- Any damage to or loss of goods during transport of any kind
- Any labour cost associated with a warranty claim

#### **General Conditions**

- The serial number of the machine must be correctly registered with FIRST DEGREE FITNESS Limited or one of its appointed distributors
- FIRST DEGREE FITNESS Limited reserve the right to examine any part where replacement is claimed under warranty
- Warranty period applies only to the original purchaser from the date of purchase and is not transferable
- The product must be returned to your place of purchase in original packaging with transportation, insurance and associated charges paid for by you and risk of loss or damage assumed by you
- FIRST DEGREE FITNESS makes no other warranties except as stated here and expressly disclaims all warranties not stated in this warranty. Neither FIRST DEGREE FITNESS nor its associates shall be responsible for incidental or consequential damages
- Manufacturer's warranty automatically commences upon sale of the product to end user or upon the expiration of one (1) year from month of manufacture, whichever occurs first



FIRST DEGREE FITNESS  
*Fluid* INNOVATION

*FITNESS PRODUCTS INSPIRED BY REAL LIFE*

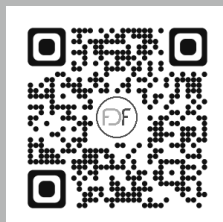
[WWW.FIRSTDEGREEFITNESS.COM](http://WWW.FIRSTDEGREEFITNESS.COM)

CONTACT US

For customer support please visit  
[firstdegreefitness.com/support](http://firstdegreefitness.com/support)

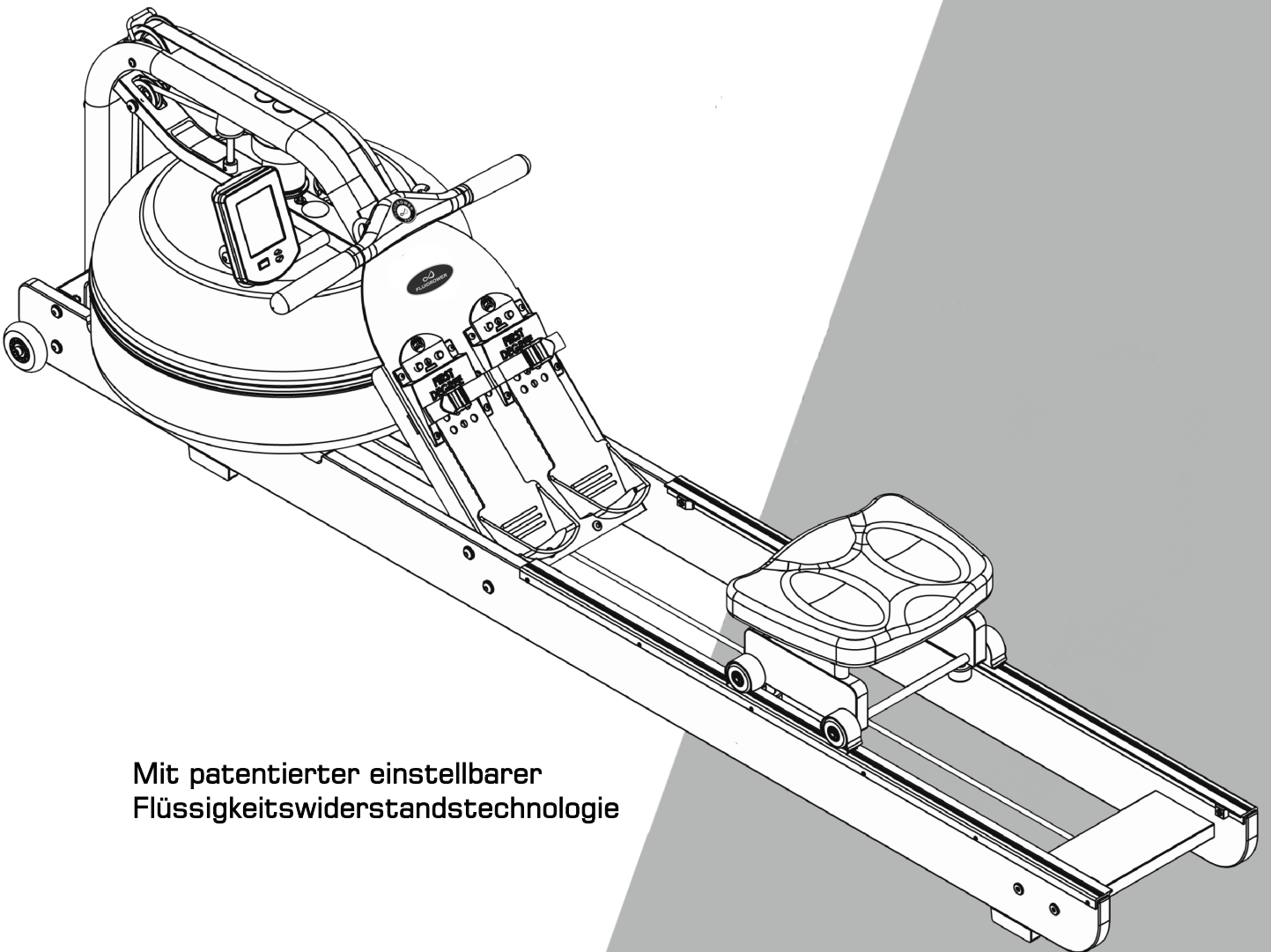
TAIWAN

T: +886 3 478 3306  
764 Chung Shan South Rd  
Yangmei Taoyuan  
Taiwan R.O.C.



# » Bedienungsanleitung

## APOLLO PRO XL VIKING PRO XL



Mit patentierter einstellbarer  
Flüssigkeitswiderstandstechnologie





## » Einführung

---

Glückwunsch zum Kauf ihres Rower Rudergerät.

FIRST DEGREE FITNESS ist stolz darauf, Ihnen den Rower als das Spitzenmodell unserer exklusiven Reihe an füssigkeitswiderstandsbasierenden Heimgeräteprodukte präsentieren zu dürfen.

Unsere Rahmen sind aus einer Kombination aus laminiertem Holz und Vollholz gefertigt und verwenden nur skandinavische Buche und amerikanische Esche der besten Qualität. Diese wird nur mittels modernster Technologien in der nachhaltigen Bewirtschaftung erneuerbarer Pflanzungen gewonnen.

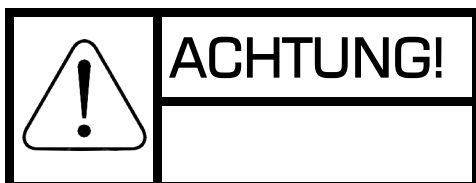
Bitte beachten Sie, dass leichte Unterschiede in der Farbe rein natürlichen Ursprungs sind und es sich dabei nur um in der Natur vorkommende Variationen handelt. Die natürlichen Unterschiede in den Holzmustern und die feinen Farbunterschiede machen jede Einheit zu einem ganz speziellen Unikat, welches speziell entworfen wurde, um sich in jeder Umgebung perfekt einzupassen.

Bitte befolgen Sie genau alle Anweisungen zur richtigen und sicheren Montage, Tankbefüllung und Wasserbehandlung. Zugang zum weltweiten Vertriebs- und Servicenetzwerk finden Sie im Internet auf [www.firstdegreefitness.com](http://www.firstdegreefitness.com)

Überprüfen Sie den Inhalt der Verpackung 1 und Verpackung 2, um sicher zu gehen, dass alle Teile vorhanden sind und korrekt sind, bevor Sie mit dem Zusammenbau beginnen.

### Trainieren mit dem Rower

1. Wie bei jedem Fitnessgerät sollten Sie vor dem Trainingsbeginn mit Ihrem Rower Ihren Arzt kontaktieren.
2. Folgen Sie den Anweisungen in dieser Bedienungsanleitung in Bezug auf die korrekte Fußposition und die grundlegende Rudertechnik.
3. Eine detaillierte Beschreibung von Rudertechniken finden Sie auf unserer internationalen Internetseite unter [www.firstdegreefitness.com](http://www.firstdegreefitness.com)
4. Warnung: Das Sicherheitsniveau des Gerätes kann nur aufrechterhalten werden, wenn es regelmäßig auf Schäden und Verschleiß untersucht wird – insbesondere an Seilen, Riemenscheiben und Verbindungsstellen.
5. Richten Sie besondere Aufmerksamkeit auf Teile, die am anfälligsten für Verschleiß sind.
6. Warnung: Falsches oder übermäßiges Training kann zu Gesundheitsschäden führen.



1. Der Rower kann zum leichteren Verstauen senkrecht gestellt werden. Stellen Sie dazu sicher, daß eine geeigneter und sicherer Platz dafür verwendet wird wie z. Bsp. in der Ecke eines Raumes oder gegen eine Wand.
2. Achten Sie darauf Ihre Hände und Finger von bewegten Teilen fernzuhalten, so wie es in der Betriebsanleitung erklärt wird.


# » Inhaltsverzeichnis

---

Sicherheit .....	5
Aufbau .....	7
Inhalt der Rower Packung.....	8
Montageanweisungen .....	9
Bedienungsanweisungen.....	12
Automatisch einstellbarer Bluetooth-Monitor .....	15
Konnektivität für console und App .....	16
Bluetooth-Herzfrequenz koppeln .....	16
Kalibrierung.....	17
Abnehmen des Rudergurtes .....	18
Montieren des Rudergurtes .....	19
Wartung.....	20
Fehlerbehebung .....	21
Befestigungssatz Montageanleitung .....	22
Garantie .....	23



## Sicherheitsinformationen

- Bitte lesen Sie vor der Benutzung dieses Geräts unbedingt das GESAMTE Benutzerhandbuch und ALLE Anweisungen durch. Das Rower ist ausschließlich für Verwendung gemäß der Beschreibung in diesem Handbuch vorgesehen.
- ALLE WARNHINWEISE MÜSSEN VOLLSTÄNDIG VERSTANDEN WERDEN.
- Dieses Gerät ist ein Gerät der Klasse HC gemäß EN ISO 20957-1. Es ist daher nur für die Nutzung im Privatbereich zugelassen. Es ist nicht für die Verwendung in kommerziellen oder institutionellen Einrichtungen und/oder Fitnessstudios gedacht. Wenden Sie sich an Rower, falls Sie Fragen über diese Klassifizierung haben.
- Wir empfehlen allen Benutzern von Rower Trainingsgeräten, vor dem Gebrauch folgende Informationen zu beachten.
- Wie für jedes andere Fitnessgerät gilt: Lassen Sie sich vor Beginn des Trainings mit dem Rower medizinisch untersuchen.
- Generell wird empfohlen, einen Checkup bei einem dafür ausgebildeten Arzt machen zu lassen, bevor man mit einem Fitnessprogramm beginnt.
- Falsches oder übermäßiges Training kann zu Verletzungen oder Gesundheitsproblemen führen.
-  **WARNUNG** Herzfrequenzmessgeräte können ungenau sein. Überanstrengung kann zu schweren Verletzungen oder zum Tode führen. Wenn Sie sich der Ohnmacht nahe fühlen beenden Sie das Training sofort.
- Bei Zeichen von Verschleiß an den Riemen, Scheiben oder Gummiseilen muss das Gerät sofort angehalten werden. Es darf erst wieder verwendet werden, wenn die entsprechenden Teile repariert oder ausgetauscht wurden.
- Kinder dürfen sich nicht unbeaufsichtigt in der Nähe des Gerät aufhalten.
- Der Rower kann aufrecht aufbewahrt werden. Befolgen Sie dazu die Anweisungen im Kapitel „Grundlegende Vorgehensweisen“ in diesem Handbuch.
- Halten Sie die Hände von beweglichen Teilen fern. Diese sind am Rahmen entsprechend durch Aufkleber gekennzeichnet.
- Wenn Einstellungshilfen aus dem Gerät herausragen, können sie die Bewegung des Benutzers beeinträchtigen.
- Das Gerät darf bei gefülltem Tank nicht unter dem Gefrierpunkt aufbewahrt werden. Das Wasser dehnt sich aus, wodurch Komponenten beschädigt werden können.

## Einbau

- Stellen Sie das Gerät für das Training auf eine stabile, ebene Fläche.
- Überprüfen Sie alle Riemen, Scheiben und Gummiseile regelmäßig auf Zeichen von Verschleiß und tauschen Sie sie gegebenenfalls aus.
- Warten Sie das Gerät regelmäßig gemäß der Anweisungen in diesem Handbuch.
- Tauschen Sie defekte Teile umgehend aus und verwenden Sie das Gerät erst wieder, wenn alle Reparaturarbeiten abgeschlossen sind.





## Richtige Verwendung

- Das Gerät darf keinesfalls zweckentfremdet werden. Es ist unter Beachtung der Rower Herstelleranweisungen zu benutzen, um Verletzungen zu vermeiden.
- Falsches oder übermäßiges Training kann zu Verletzungen führen. Konsultieren Sie vor Beginn eines Trainingsprogramms einen Arzt. Wenn beim Training Schwäche, Schwindelgefühl oder Schmerzen auftreten, brechen Sie das Training SOFORT ab, und konsultieren Sie einen Arzt.
- Halten Sie Körperteile (Hände, Füße, Haare usw.), Bekleidung und Schmuck von beweglichen Teilen fern, um Verletzungen zu vermeiden.
- Befolgen Sie im Hinblick auf die korrekte Fußhaltung und die grundlegende Rudertechnik die Anweisungen in diesem Handbuch.
- Weitere Hinweise zur Rudertechnik finden Sie auf unserer internationalen Website. [www.firstdegreefitness.com](http://www.firstdegreefitness.com)

## Inspection

- Geräte, die beschädigt sind und/oder an denen Teile verschlissen oder gebrochen sind, dürfen nicht benutzt werden. Verwenden Sie für alle Rower-Geräte ausschließlich Rower-Ersatzteile.
- Ausgefranzte Seilzüge und Riemen stellen ein großes Verletzungsrisiko dar. Tauschen Sie Seilzüge oder Riemen stets beim ersten Anzeichen von Verschleiß aus (bei Fragen hierzu wenden Sie sich bitte an Rower).
- **ACHTEN SIE AUF AUFKLEBER UND TYPENSCHILDER** - Aufkleber dürfen nicht entfernt werden. Sie enthalten wichtige Informationen. Bestellen Sie bei unleserlichen oder fehlenden Schildern/Aufklebern Ersatzschilder bei Rower.
- **GERÄTEWARTUNG** - Dieses Gerät muss vorbeugend gewartet werden, um den ordnungsgemäßen Betrieb sicherzustellen und das Verletzungsrisiko zu minimieren. Das Gerät muss regelmäßig untersucht werden.
- Stellen Sie sicher, dass Einstellungs-, Wartungs- oder Reparaturarbeiten ausschließlich von qualifizierten Personen durchgeführt werden.
- **VERWENDEN SIE KEIN ZUBEHÖR, DAS ZWAR FÜR DIE VERWENDUNG MIT ROWER GERÄTEN ZUGELASSEN, ABER OFFENSICHTLICH BESCHÄDIGT ODER VERSCHLISSEN IST.**
- Überprüfen Sie alle Riemen, Scheiben und Gummiseile regelmäßig auf Zeichen von Verschleiß und tauschen Sie sie gegebenenfalls aus.
- Warten Sie das Gerät regelmäßig gemäß der Anweisungen in diesem Handbuch.
- Tauschen Sie defekte Teile umgehend aus und verwenden Sie das Gerät erst wieder, wenn alle Reparaturarbeiten abgeschlossen sind.

## Warnhinweise für die Bedienung

- Kinder vom Rower Gerät fern halten. Eltern oder andere Personen, die mit der Beaufsichtigung von Kindern betraut wurden, müssen Kinder stets im Auge haben, wenn das Gerät in der Gegenwart von Kindern benutzt wird.
- Benutzer des Geräts dürfen keine locker sitzende Bekleidung oder Schmuck tragen. Außerdem sollten Benutzer lange Haare zurückbinden und den Kontakt mit sich bewegenden Teilen vermeiden.
- Alle umstehenden Personen müssen sich fern von Personen, beweglichen Teilen und befestigtem/n Zubehör und Komponenten halten, während die Maschine benutzt wird.
-  **WARNUNG** Stecken Sie Ihre Finger nicht in den Tank!
-  **VORSICHT** Nach dem Rudern Übung, lassen Sie bitte das Gerät für 5 Minuten sitzen, bevor Sie es für die Lagerung.
-  **VORSICHT** Die Kalibrierungsmarkierung auf dem Tank (Aufkleber) darf nicht überschritten werden. Ansonsten kann Wasser austreten.
-  **WARNUNG** Beim Training auf diesem Rudergerät müssen die Füße immer sicher mit den Fußriemen fixiert werden und der bewegliche Teil der Fußstütze muss in den passenden Position einrasten!

## Spezifikationen

**Produktklasse:** HC

**Bremssystem:** Geschwindigkeitsunabhängig

**Nettogewicht:** APOLLO PRO XL - 36,04kg (79.45lb) / VIKING PRO XL - 30.84kg (67.99lb)

**Bruttogewicht:** APOLLO PRO XL - 44.64kg (98.41lb) / VIKING PRO XL - 38.86kg (85.67lb)

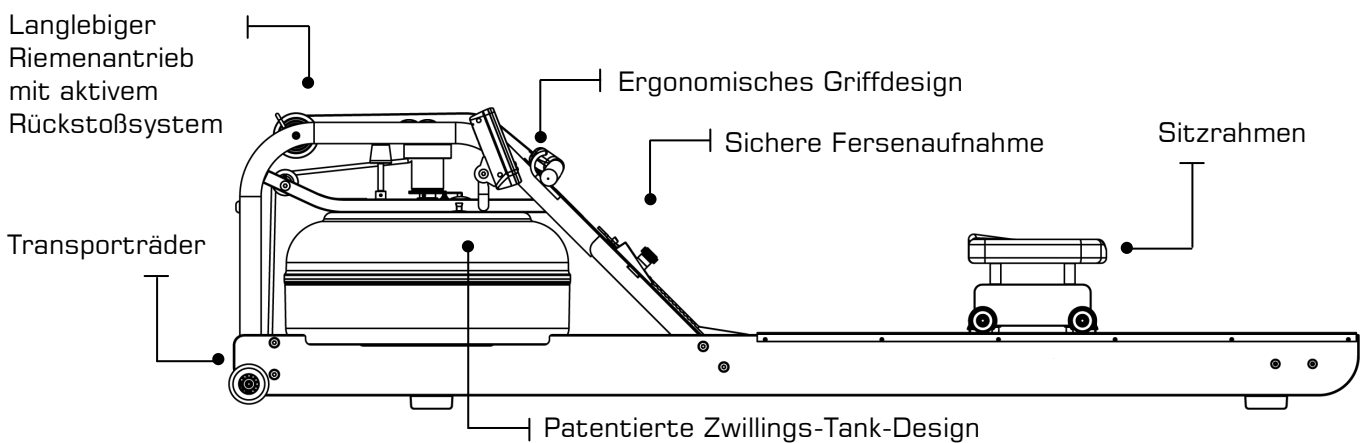
**Max Benutzergewicht:** 333cm (131.09") Länge x 174cm (68.50") Breite

**Abmessungen:** 2130mm(83.85") Länge x 540mm (21.26") Breite x 560mm(22.04") Höhe

**Maximum User Weight:** 150kg (330lbs)

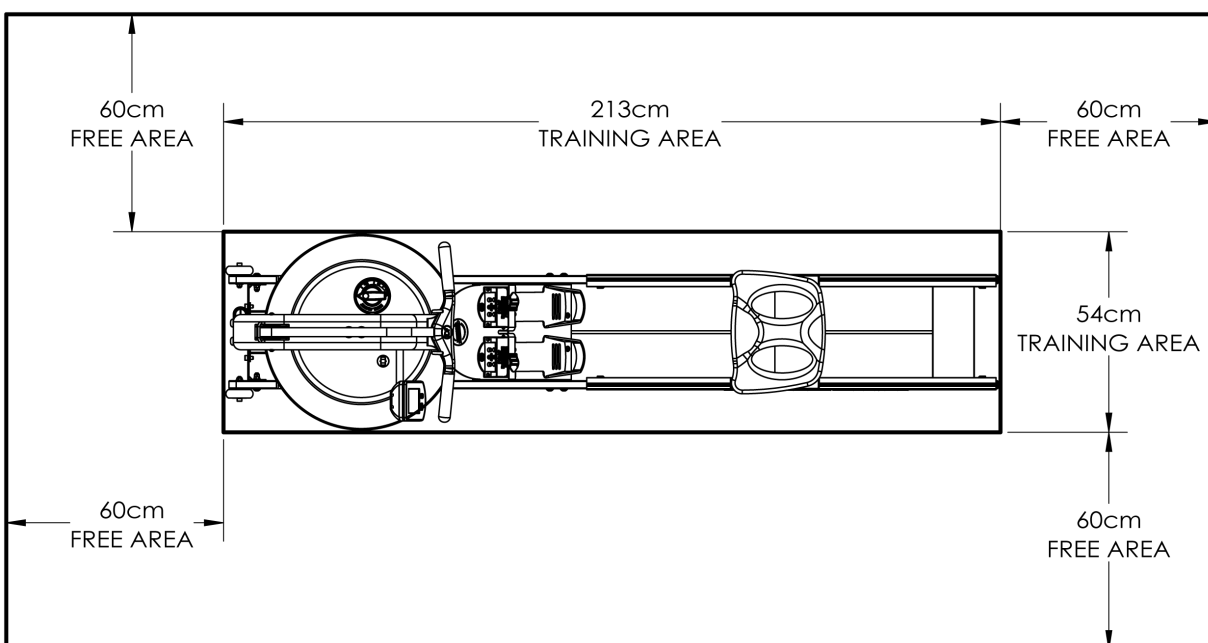
**Compact Footprint:** 2730mm x 1140mm or upright 560mm x 540mm

## Produkt Höhepunkte



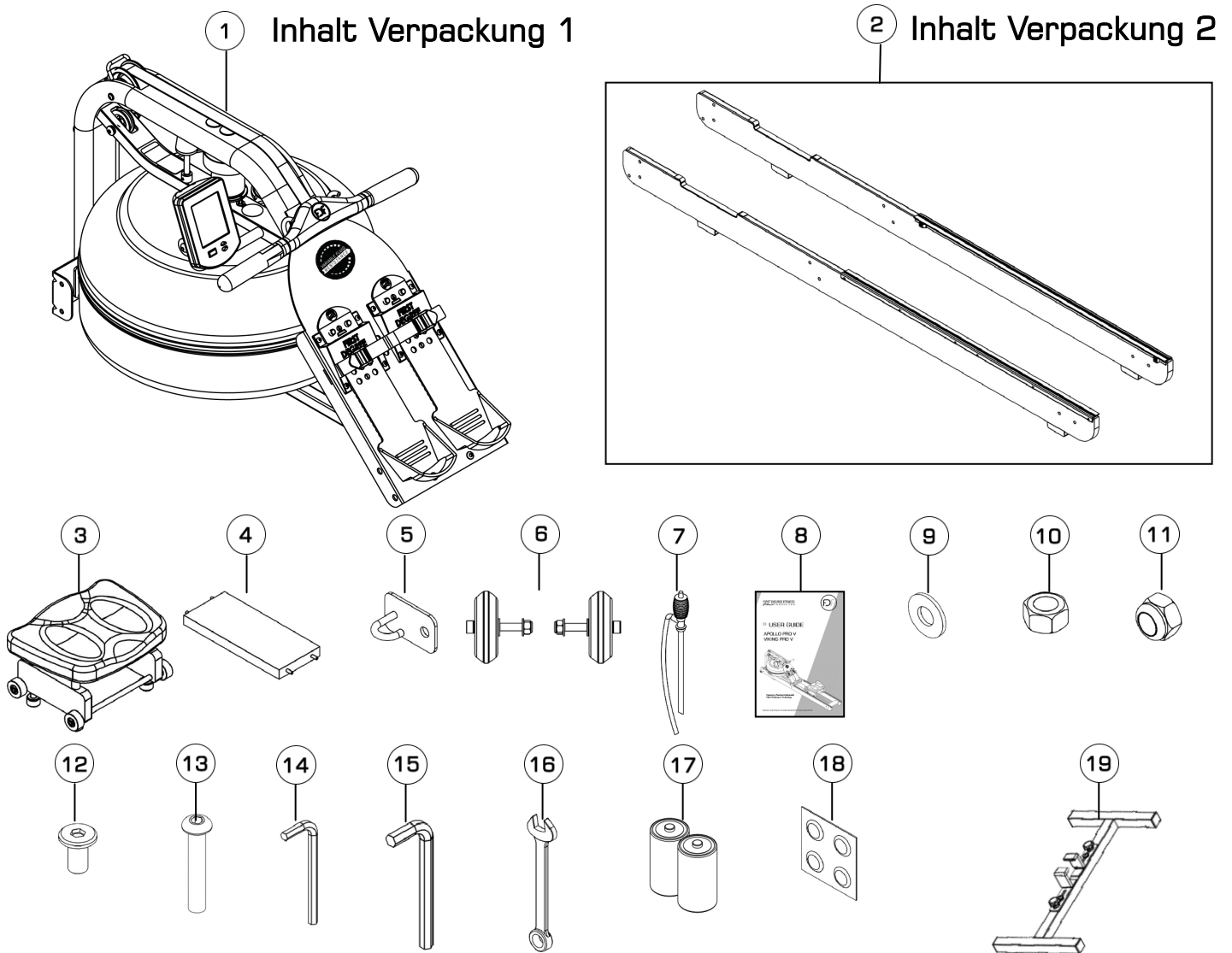
Der Bewegungsbereich muss im Aufstiegsbereich mindestens 23.62" (60 cm) größer sein als der eigentliche Trainingsbereich. Dazu zählt auch der Bereich Für den Notabstieg.

## Bewegungsbereich und Trainingsbereich



Hinweis: Rower ist nicht für therapeutische Zwecke geeignet

# » Inhalt der Rower Packung



Item	Qty.	Description	Item	Qty.	Description
1	1	Hauptrahmen	5	1	Befestigungshaken für Gummizug
2	2	Linke / Rechte Seitenschiene	6	2	Transporträder Baueinheit
3	1	Rudersitz	7	1	Handpumpe
4	1	Hintere Querstrebe	8	1	Bedienungsanleitung
<b>Hardware KIT</b>					
9	16	M8 Beilagscheiben	14	1	5mm Inbus- schlüssel
10	8	M8 Standard Mutter	15	1	6mm Inbus-schlüssel
11	8	M8 Sicherungsmutter	16	1	13mm Schraubenschlüssel
12	4	M6x15mm Schrauben	17	2	D Cell Duracell Batterien
13	8	M8x45mm Schrauben	18	4	Water Treatment Tablet
<b>Sonderausstattung</b>					
19	1	Optionaler Ständer			

# » Montageanweisungen

## SCHRITT 1 Hintere Strebe und Transportrad-Baugruppe an der Sitzschiene installieren

### ERFORDERLICH

Seitliche Schiene links / rechts [2]

Hintere Strebe [4]

Gummizug-Hakenbefestigung [5]

Transportrad-Baugruppe [6]

4 x Schraube, M6x15mm [12]

### ! WARNUNG

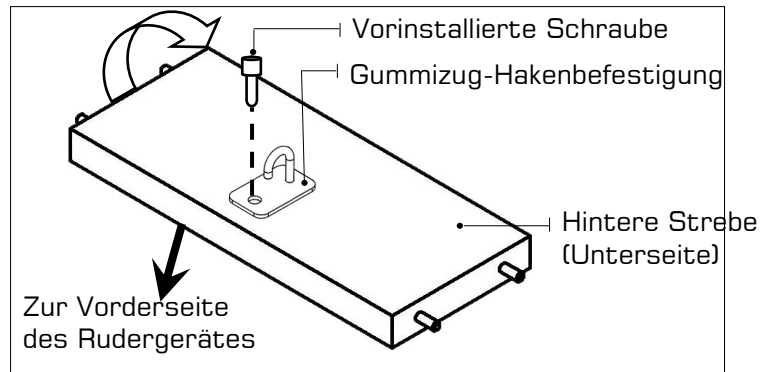
Hintere Strebe zur Korrektur der Ausrichtung vor Montage an den seitlichen Schienen drehen

### ! WARNUNG

Hinweis: Transporträder müssen wie nachstehend abgebildet an der Außenseite der Sitzschienen montiert werden.

Ziehen Sie die Transportradachse nicht zu fest, da das Transportrad andernfalls blockieren könnte.

- a) Beginnen Sie mit der **hinteren Strebe**, an der Unterseite finden Sie eine **vorinstallierte Schraube**. Nehmen Sie die Gummizug-Hakenbefestigung aus dem Montageset und installieren Sie sie wie abgebildet an der hinteren Strebe. Hinweis: Die Ausrichtung von Strebe und Haken muss stimmen, damit das Ende des **Gummizugs** wie durch den Pfeil in der Abbildung dargestellt (er zeigt auf die Vorderseite des Rudergerätes) gehalten wird.

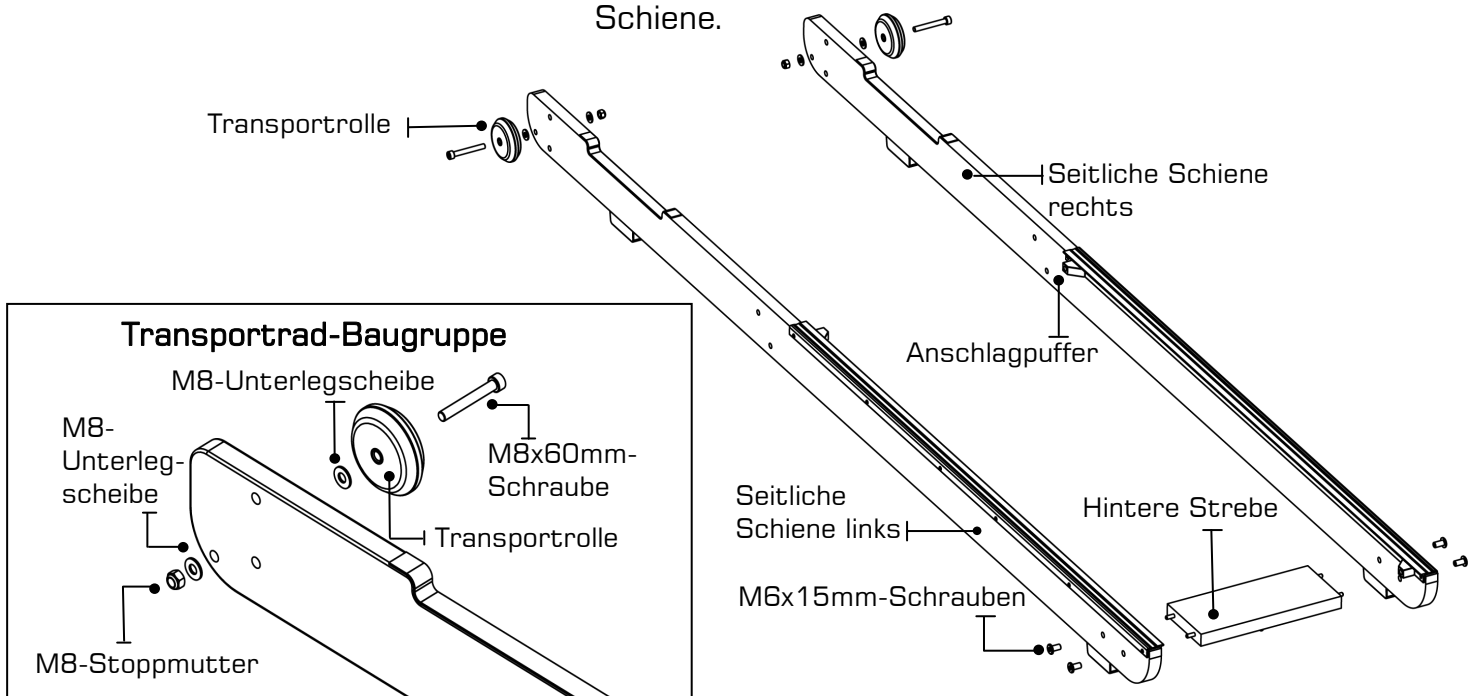


- b) Verbinden Sie dann die **seitliche Schiene links** und die **seitliche Schiene rechts** [2] mit 4 x M6x15mm-Schraube [12] und der **hinteren Strebe** [4]. **NICHT FESTZIEHEN.**

**Typ:** Anschlagpuffer zeigt bei der richtigen Montage zur Innenseite der Schiene.

- c) Sobald die hintere Strebe und die seitlichen Schienen montiert sind, montieren Sie die **Transportrad-Baugruppe** [6] an den **seitlichen Schienen links/rechts** [2].

**Hinweis:** Eine Unterscheibe an der Außenseite und eine Unterlegscheibe an der Innenseite der seitlichen Schiene.



# » Montageanweisungen

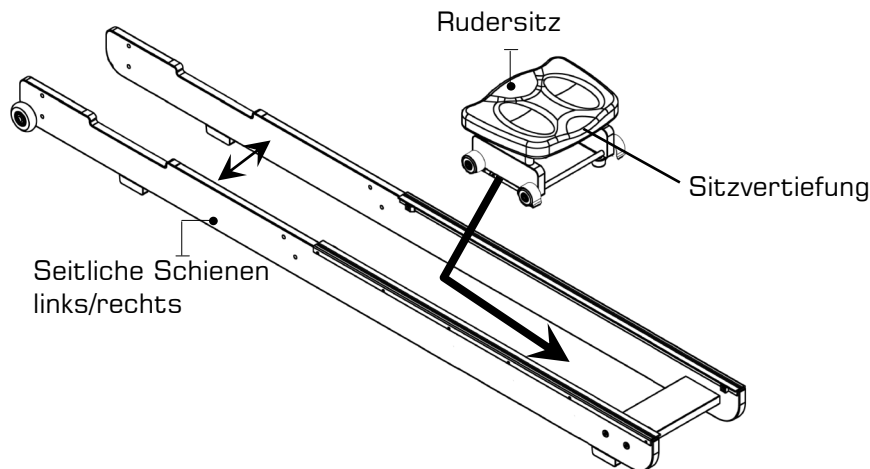
## SCHRITT 2 Montage Rower Sitz und Obermainframe

### ERFORDERLICH

Seitliche Schienen links/rechts [2]  
Rudersitz [3]

Installieren Sie den Sitz, indem Sie die **seitlichen Schienen links/rechts [2]** leicht ausbreiten und den **Sitz [3]** in die Schiene absenken.

Hinweis: Die Sitzvertiefung muss nach hinten zeigen.



## SCHRITT 3 Rudersitz und oberen Hauptrahmen montieren

### ERFORDERLICH

Hauptrahmen [1]  
Seitliche Schienenbaugruppe [2]  
16 x M8-Unterlegscheibe [9]  
8 x M8-Standardmutter [10]  
8 x Stopmmutter [11]  
8 x M8x45mm-Schraube [13]

Installieren Sie den **Hauptrahmen [1]** wie abgebildet an der **seitlichen Schienenbaugruppe [2]**. Sie benötigen **8 x M8x45mm-Schraube [11]**, **16 x M8-Unterlegscheibe [7]**, **8 x M8-Standardmutter [8]** und **8 x M8-Stopmmutter [9]**.

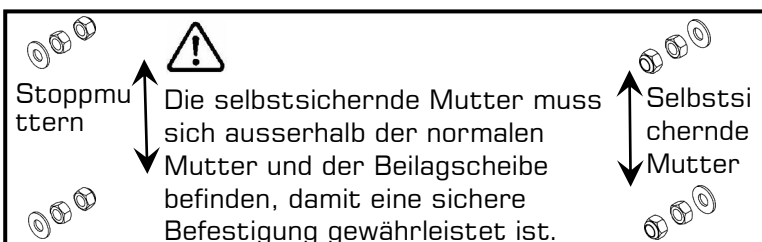
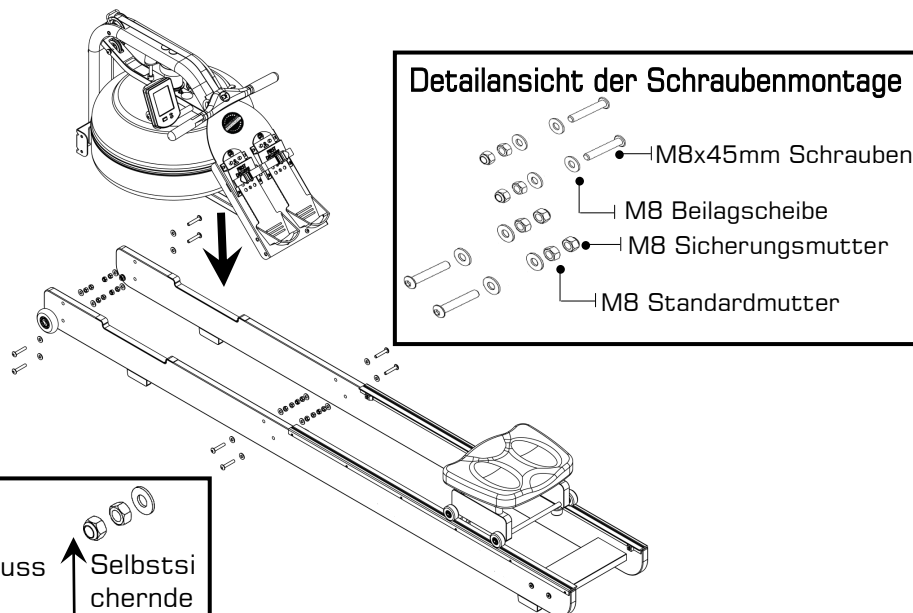
Befestigen Sie zunächst die untere vordere Halterung, dann das Fußbrett, aber **NICHT FESTZIEHEN**.

Möglicherweise sind die Schrauben der unteren Halterung schwer zugänglich. Sie können diese Schrauben vollständig festziehen, sobald das Rudergerät vertikal steht; richten Sie sie also zunächst einfach nur aus und fädeln Sie die unteren Schrauben/Mutter locker ein.

### ! VORSICHT

Zur Gewährleistung einer sicheren Montage müssen sich Stopmmuttern außerhalb der Standardmutter und Unterlegscheibe befinden

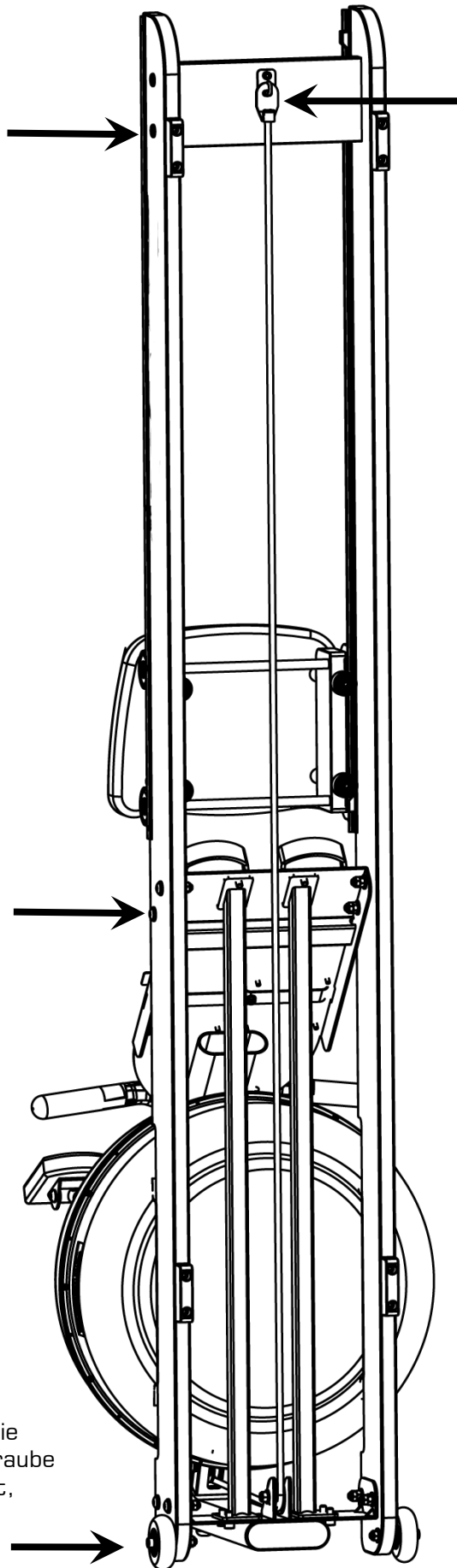
**Hinweis:** Reinigen Sie Räder und Schienen wöchentlich mit einem weichen, trockenen Tuch; dadurch können Sie den Verschleiß an Rädern und Schienen reduzieren.





# » Montageanweisungen

## SCHRITT 4 Ruderbaugruppe abschließen



Ziehen Sie die Rahmenschrauben sicher fest, sobald das Rudergerät steht.

Ziehen Sie Gummizug und Hakenende wie abgebildet an die **Gummizug-Hakenbefestigung [5]**.



Schneiden Sie den Kabelbinder des Gummizugs nicht durch, bevor der Gummizug wie hier abgebildet an der Rückseite des Rudergerätes angebracht ist.

Sobald der Gummizug an der hinteren Strebe angebracht ist, ziehen Sie die Schrauben an, die das Fußbrett und den Hauptrahmen an den seitlichen Schienenschrauben halten, da sie aus der vertikalen Position leichter zugänglich sind.

Senken Sie die Rückseite des Rudergerätes in die horizontale Position und prüfen Sie auf angemessenen Rückstoß des Gummizugs.

Prüfen Sie Sitzrollen/Läufer auf Schmutz, bevor Sie sich auf den Sitz setzen. Kleine Gegenstände zwischen den Sitzrollen und Läufern können die Räder oder Lauffläche beschädigen. Prüfen Sie die Läufer vor jeder Nutzung auf Schmutz und reinigen Sie sie regelmäßig.

Hinweis: Die Rahmenschrauben des Rudergerätes müssen regelmäßig auf festen Sitz geprüft werden. Führen Sie dies am Ende des ersten Monats und dann erneut alle 12 Monate durch.

Lagern Sie das Produkt an einem geeigneten Ort.

Der Apollo AR Rahmen kann mit jeder hochwertigen Möbelpolitur poliert werden. Dies hilft noch zusätzlich die feine Maserung der Oberfläche hervor zu heben.

Installieren Sie zwei AA-Duracell-Batterien und prüfen Sie die Computerfunktion. Einzelheiten finden Sie im Abschnitt zum Computer dieser Anleitung.

Verwenden Sie Ihr Rudergerät auf einem flachen, ebenen Untergrund, damit das Gerät nicht wackelt und/oder vorzeitig verschleißt.

# »» Bedienungsanweisungen

## »» Tank mit regelbarem Widerstand

Der von FIRST DEGREE FITNESS entwickelte und patentierte Tank mit regelbarem Widerstand bietet ein echtes mehrstufiges Erlebnis. Wasser wird zwischen Speicher- und Aktivkammern des Tanks mit regelbarem Widerstand bewegt. Ihr neues Ruderergometer kann durch Drehen des Reglers auf den gewünschten Widerstand des jeweiligen Nutzers eingestellt werden.

### Erste Schritte

Wählen Sie zur Erzielung eines minimalen Widerstands „1“ am Tankregler. **Es erfordert 10 Züge, den zentralen Tank (Speichertank) zu füllen, wodurch eine minimale Wassermenge im Außentank (Aktivtank) verbleibt. Dieser Vorgang ist immer erforderlich, wenn minimaler Widerstand gewünscht wird.** Rudern Sie intensiv und kraftvoll bei einem gleichmäßigen Tempo (20 bis 25 Züge pro Minute [ZPM]), wahren Sie dabei eine gute Form. Sie können den Widerstand beim Rudern anpassen. Ihr Ruderergometer passt sich fast sofort an die Erhöhung des Widerstands an; dies erfordert jedoch bis zu 10 Züge.

### Ihre Routine entwickeln

Sobald Sie die gewünschte Stufe erreicht haben, können zum Variieren des Trainings Änderungen an der Anzahl Züge pro Minute oder an der Intensität vorgenommen werden. Die meisten Ruderer nutzen Intervalltraining, bei dem ein Zeitraum geringer Intensität mit kurzen Intervallen hoher Intensität kombiniert wird. Ihr FDF-Ruderergometer ermöglicht spontane Änderungen zur Erzielung mehrerer Widerstandsprofile während eines einzigen Trainings. Weitere Informationen zu Trainingsroutinen finden Sie auf unserer Website unter [www.firstdegreefitness.com](http://www.firstdegreefitness.com)

## »» Befüllung des Tanks und Wasseraufbereitung

### ERFORDERLICH

Siphon [7]

### ! VORSICHT

Der Widerstandsregler muss zur Realisierung einer exakten Füllkapazität auf „Max“ eingestellt werden.

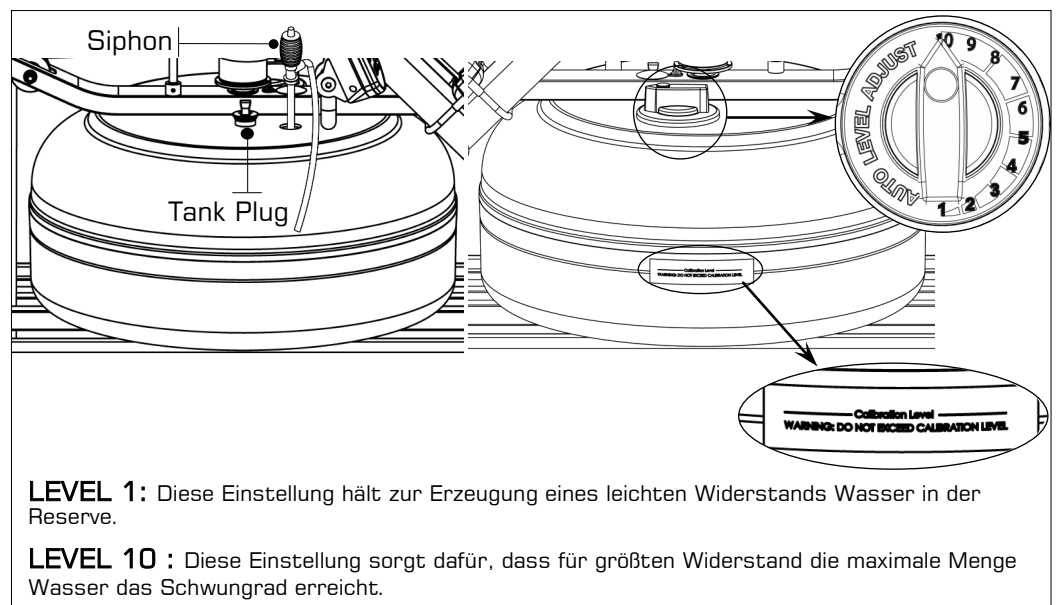
### ! WARNUNG

Füllen Sie den Tank nicht über den maximalen Füllstand von 17 Litern hinaus. Beachten Sie den Tankstandaufkleber im unteren Bereich des Tanks.

- Entfernen Sie den Gummi-Füllverschluss an der Oberseite des Tanks.
- Platzieren Sie einen großen Eimer Wasser neben dem Rudergerät. Positionieren Sie den **Siphon [7]** mit dem robusten Schlauch im Eimer und dem flexiblen Schlauch im Tank.

**Hinweis:** Achten Sie vor dem Füllen darauf, dass das kleine Entlüftungsventil am Siphon geschlossen ist.

- Drücken Sie zum Starten des Füllens den Siphon zusammen. **Wichtig:** Füllen Sie den Tank nicht übermäßig.
- Sobald er voll ist, öffnen Sie das Ventil an der Oberseite des Siphons, damit überschüssiges Wasser entweichen kann.
- Durchlaufen Sie gleich nach der Befüllung die folgenden Schritte zur Wasseraufbereitung und setzen Sie dann den Tankverschluss wieder auf.



**LEVEL 1:** Diese Einstellung hält zur Erzeugung eines leichten Widerstands Wasser in der Reserve.

**LEVEL 10:** Diese Einstellung sorgt dafür, dass für größten Widerstand die maximale Menge Wasser das Schwungrad erreicht.

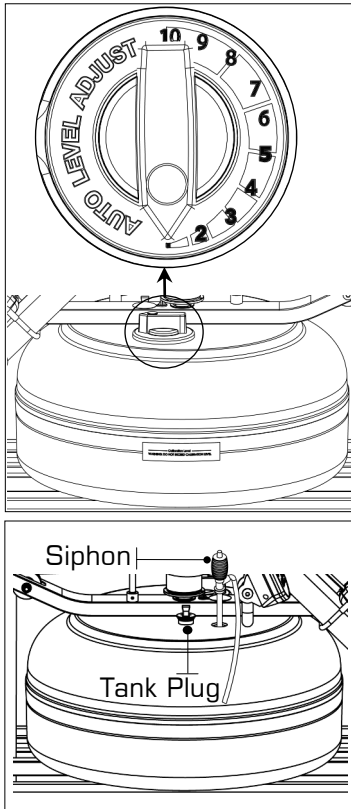
## ERSTMALIGE WASSERAUFBEREITUNG

Geben Sie bei jeder vollen Tankfüllung 1 Wasseraufbereitungstablette hinzu. VERWENDEN SIE IN JEDEM FALL NUR DIE AUFBEREITUNGSTABLETTEN, DIE SIE VOM LIEFERANTEN ZUSAMMEN MIT IHREM GERÄT ERHALTEN HABEN. Ihrem Rudergerät sind 4 Wasseraufbereitungstabletten mitgeliefert, die für mehrere Jahre ausreichen. Wenden Sie sich zum Kauf zusätzlicher Chlortabletten an einen regionalen Händler oder prüfen Sie unsere Website unter [www.firstdegreefitness.com](http://www.firstdegreefitness.com).



# »» Bedienungsanweisungen

## »» Tank leeren / Wasser wechseln



- Stellen Sie den Reglergriff auf „1“ ein.
- Machen Sie mindestens zehn Züge, um den Speichertank so weit wie möglich zu füllen.
- Entfernen Sie den Tankverschluss.
- Stecken Sie das feste Ende des Siphons in den Tank und den flexiblen Schlauch in einen großen Eimer.
- Leeren Sie den Tank (ca. 40 % des Wassers bleiben zurück), füllen Sie ihn dann wieder auf, indem Sie die Schritte im Abschnitt zur Tankbefüllung dieser Anleitung befolgen.

### Hinweis:

- Das Ventil an der Oberseite des Siphons muss für eine angemessene Entleerung geschlossen sein.
- Durch die Wasseraufbereitung müssen Sie das Wasser im Tank nicht wechseln, sofern Sie den Aufbereitungsplan einhalten. Zusätzliche Tabletten zur Wasseraufbereitung sind nur erforderlich, wenn sich das Wasser sichtbar verfärbt hat.
- Durch die Aussetzung von Sonnenlicht reduzieren Sie die Lebensdauer von Tabletten zur Wasseraufbereitung. Wenn Sie das Rudergehäuse von direktem Sonnenlicht fernhalten, verlängert sich die Zeit zwischen den Wasseraufbereitungen.
- Ca. 40 % des Tankwassers bleiben zurück. Ohne Demontage kann der A/R-Tank nicht vollständig entleert werden.

## »» Nachhaltige Wasseraufbereitung und grundlegende Bedienung

Verwenden Sie ausschließlich die mit diesem Gerät gelieferten Tabletten zur Wasseraufbereitung. Weitere Tabletten erhalten Sie bei einem FIRST-DEGREE-FITNESS-Händler in Ihrer Nähe.

Die Zeitabstände der Wasseraufbereitung für den FLUID ROWER variieren je nach Sonneneinstrahlung auf die Flüssigkeitstanks, betragen erfahrungsgemäß aber 8 bis 12 Monate neben einem hellen, sonnenbeschienenen Fenster und zwei Jahre oder länger an dunkleren Stellen. Sollten Sie leicht getrübbtes Wasser vorfinden, geben Sie eine Wasseraufbereitungstablette hinzu.

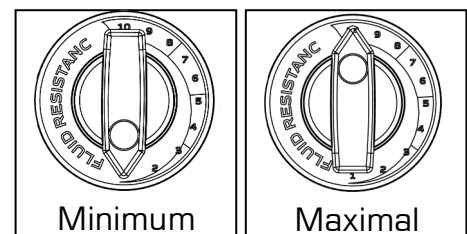


**VORSICHT** Es wird dringendst empfohlen, ein Tuch als Tropfauffang unter den Flüssigkeitstank zu legen, wenn der Tankverschluss für die Wasseraufbereitung geöffnet wird.

## »» So stellen Sie den Widerstand ein

- Wählen Sie die gewünschte Flüssigkeitswiderstand

HINWEIS: Der am Tank ausgewählte Flüssigkeitswiderstand wird automatisch auf die Konsole angezeigt.

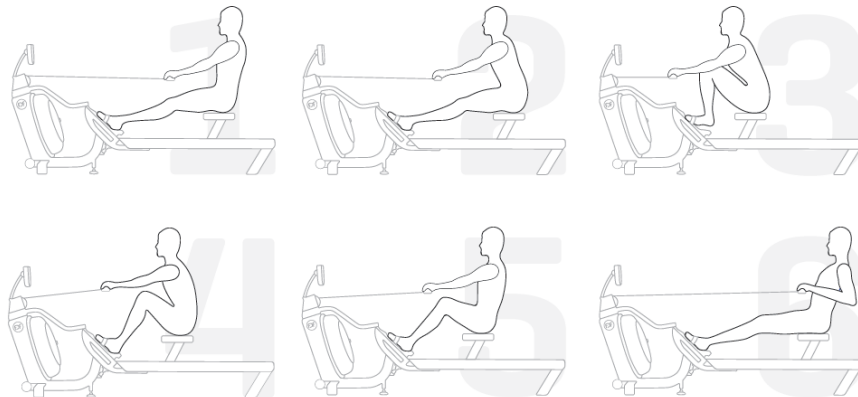


Lassen Sie beim Einstellen des Widerstands Niveaus zwei Schläge eine Zunahme und zehn Schläge eine Abnahme des Widerstands zu

# »» Bedienungsanweisungen

## »» Rudertraining beginnen

Ein vollständiger Ruderschlag ist in sechs Phasen unterteilt

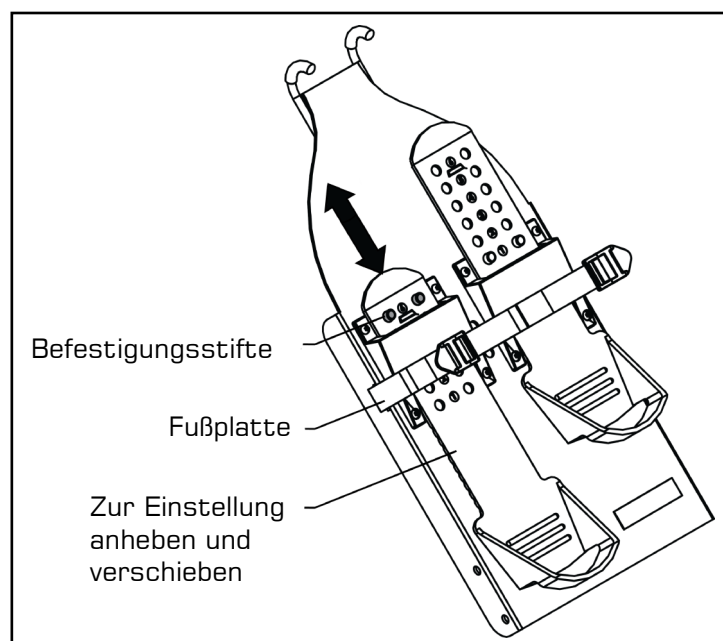


1. Sitzen Sie mit ausgestreckten Beinen und geradem Rücken und beugen Sie sich in den Hüften leicht nach vorne, wobei die Arme ausgestreckt sind und die Hände sich auf Höhe der unteren Rippen befinden. Schwingen Sie wieder zurück.
  2. Beugen Sie sich mit ausgestreckten Beinen und geradem Rücken in den Hüften leicht nach vorne; Arme sind nach vorne ausgestreckt. Beugen Sie sich vorwärts und gleiten Sie nach vorne. **Hinweis:** Die Hände sollten sich jetzt auf Kniehöhe befinden, Beine bleiben ausgestreckt.
  3. Bewegen Sie die Beine nach vorne, sodass die Schienbeine möglichst senkrecht stehen. Der Rücken bleibt bei leicht nach vorne gebeugter Haltung gerade, wobei die Arme weiterhin nach vorne ausgestreckt sind. Jetzt beginnt sofort der kräftige DURCHZUG.
  4. Die Knie werden halb durchgedrückt, wobei der Sitz bis in die Mitte der Ruderschienen fährt; Rücken und Arme sind weiterhin gerade. Führen Sie den Ruderschlag weiter.
  5. Die Knie werden fast durchgedrückt; der Rücken bleibt gerade, lehnt sich in den Hüften aber leicht nach hinten. Die Arme sind gerade. Drücken Sie jetzt ganz durch.
  6. Die Beine sind jetzt ganz ausgestreckt. Der Rücken ist gerade und leicht nach hinten gelehnt; ziehen Sie jetzt die Arme bis auf Brustnähe zurück, wobei die Unterarme in eine horizontale Position kommen und die Ellbogen sich in der Nähe des Brustkorbs befinden. Das ist der Endzug.
- Weitere Informationen über die korrekte Rudertechnik und Trainingstipps finden Sie auf unserer Website.

## »» Fußstütze

Die Fußstütze passt für viele Fußgrößen und ist einfach zu bedienen

Um sie einzustellen, heben Sie den oberen Teil des beweglichen Bereichs an und schieben Sie die Fußstütze nach oben oder unten. Die Nummern 1 bis 6 helfen bei der Einstellung der richtigen Länge. Fixieren Sie die Stütze mit den Befestigungsstiften.



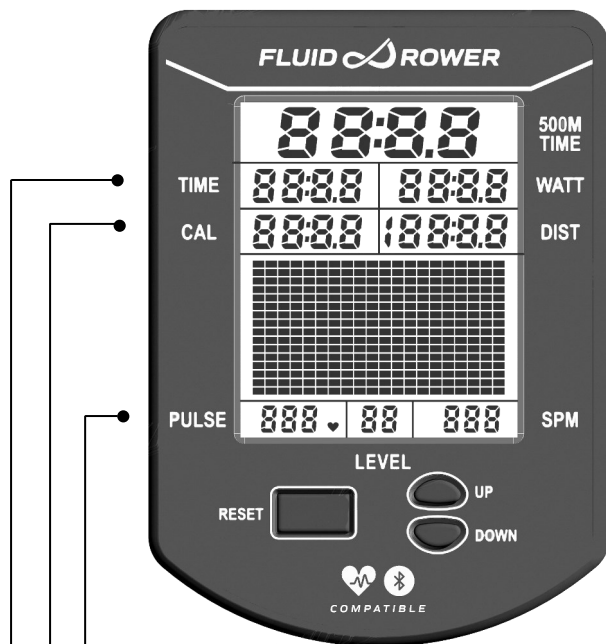
**WARNUNG:** Beim Training auf diesem Rudergerät müssen die Füße immer sicher mit den Fußriemen fixiert werden und der bewegliche Teil der Fußstütze muss in den passenden Position einrasten

# » Automatisch einstellbarer Bluetooth-Monitor

**Automatischer Start:** Beginnen Sie mit dem Training, um das Gerät zu aktivieren.

**Zurücksetzen aller Werte:** Halten Sie die Taste ZURÜCKSETZEN 3 Sekunden lang gedrückt.

**Automatisches Abschalten:** Nach 5 Minuten. Alle Werte sind nach dem Neustart auf Null zurückgesetzt.

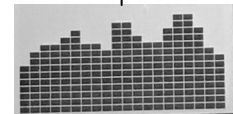
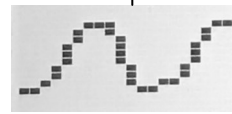


**DURCHSCHN.-ZEIT 500 M:** Zeit im Durchschnitt, um 500 Meter zurudern.

**WATT:** Die Leistungseinheit wird pro Ruderschlag aktualisiert.

**ENTFERNUNG:** Wird jede Sekunde aktualisiert.

**LEISTUNGSKURVE:** Durch Drücken von ZURÜCKSETZEN wird anstelle der Leistungskurve die kumulierte Leistungskurve angezeigt.



**SPM:** Die Schläge pro Minute werden mit jedem

**PEGEL:** Passt den Pegel gemäß Verstellknopf am Tank automatisch an.

**PULS:** Kompatibel mit Herzfrequenzsensor Polar H7/H10 und FDF-Herzfrequenzgriff (optional).

**KAL:** Kalorien, die bei aktueller Wattleistung pro Stunde verbrannt werden. Zeigt die insgesamt verbrannten Kalorien beim Trainingsstopp an.

**ZEIT:** Automatischer Start nach abgelaufenen Zeit.

**HINWEIS :** Das Empfängerset für die Herzfrequenz mitsamt Brustgurt müssen separat erworben werden.


**WATT:** Misst die Spitzenleistung in Watt und berechnet die Kraft und Beschleunigung, um die Leistung eines Nutzers genau zu bemessen.

**TRAININGSDATEN:** Die pro Trainingseinheit erfassten Daten werden in einer Leistungskurve und einer kumulierten Leistungskurve angezeigt, sodass Sie Vergleiche für einen effektiven Trainingsfortschritt in Echtzeit ziehen können.

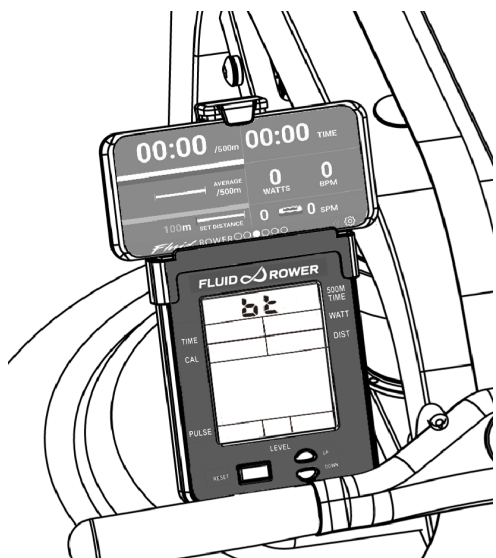
**AUTO-PEGELANPASSUNG:** Das eingebaute Potentiometer passt die Widerstandsstufe des Computers gemäß der Position des Verstellknopfes am Tank automatisch an.

**BLUETOOTH-KONNEKTIVITÄT:** Jedes Rudergerät ist mit modernster Konsolentechnologie ausgestattet, sodass Bluetooth-Konnektivität mit einem beliebigen kompatiblen Smart-Gerät gegeben ist. Auf Einbindung in Ruder- und Fitness-Apps ausgelegt, unterstützt die Konsole mit effektivem Trainingsfortschritt, der Aufzeichnung und dem Vergleich von Daten für Teilnehmer von Wettkämpfen. (Einschließlich FDF-Ruder-APP, die über die FDF-Website verfügbar ist)

**HINWEIS:** Brustgurt müssen separat erworben werden.

 <b>WARNUNG:</b>	Systeme zur Herzfrequenzüberwachung könnten falsche Werte anzeigen. Übermäßiges Trainieren kann schwere Verletzungen oder den Tod zur Folge haben. Wenn Sie sich einer Ohnmacht nahe fühlen, hören Sie sofort mit dem Training auf!
--	---

## » Konnektivität für Konsole und APP



Laden Sie die FluidRower App für IOS und Android herunter. .

Download Link unten:

IOS:

<https://itunes.apple.com/tw/app/fluidrower/id1449683562?mt=8>



Android:

<https://play.google.com/store/apps/details?id=com.firstdegreefitness.fluidworkout>



Halten Sie die Tasten UP und DOWN für 5 Sekunden zusammen, um Bluetooth zu starten .

Offene APP und verbinden.

[https://drive.google.com/file/d/1uE1U5kXwawropkinD\\_hVAAWAOesDhnwH/view?usp=sharing](https://drive.google.com/file/d/1uE1U5kXwawropkinD_hVAAWAOesDhnwH/view?usp=sharing)



Benötigt Herzfrequenz-Brustgurt, um Herzfrequenz-Funktion angezeigt werden .

Heart Rate Chest Strap separat verkauft.

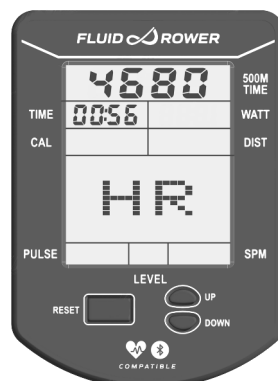
## » Bluetooth-Herzfrequenz koppeln



Halten Sie die Tasten „Aufwärts“ und „Abwärts“ 3 Sekunden lang gedrückt.



Drücken Sie zum Aufrufen des Modus zur Kopplung der Bluetooth-Herzfrequenz „Abwärts“.



Die Konsole zeigt nun einen 4-stelligen Kopplungscode und einen 1-minütigen Countdown.

**Hinweis: Bitte schalten Sie Ihren Herzfrequenzsensor ein und bereiten Sie ihn auf die Kopplung vor.**

Herzfrequenz

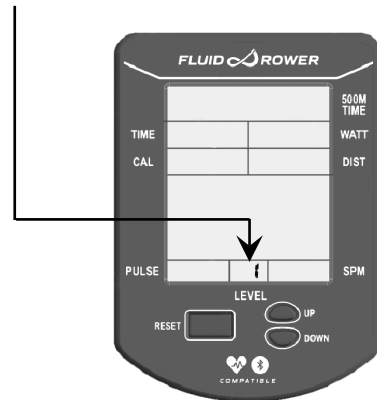
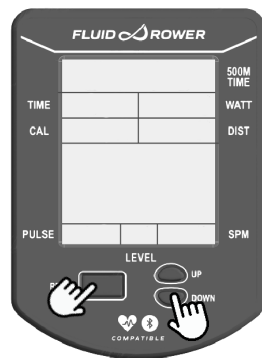


Die Konsole koppelt sich automatisch mit dem nächstgelegenen Bluetooth-Herzfrequenzsensor. Bei Abschluss der Kopplung springt die Konsole zum Startbildschirm zurück und beginnt mit der Anzeige der Herzfrequenz.

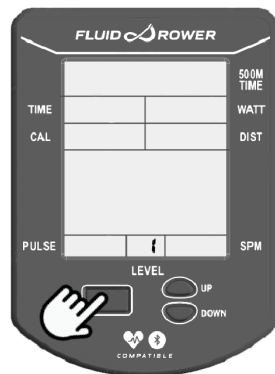
# » Kalibrierung

## SCHRITT 1

Halten Sie die Tasten 「ZURÜCKSETZEN」 und 「RUHEN」 5 Sekunden lang gedrückt. Es wird „STUFE 1“ angezeigt

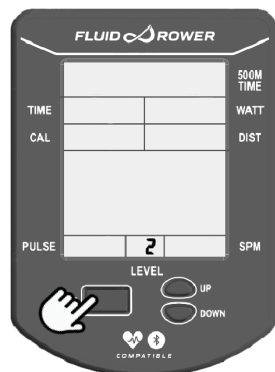
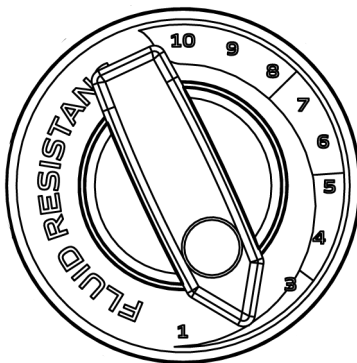


## SCHRITT 2



Drehen Sie den Einstellgriff auf STUFE 1. Halten Sie die Tasten 「ZURÜCKSETZEN」. Der Monitor zeigt jetzt STUFE 『2』. Dass die Kalibrierung für STUFE 1 abgeschlossen ist.

## SCHRITT 3



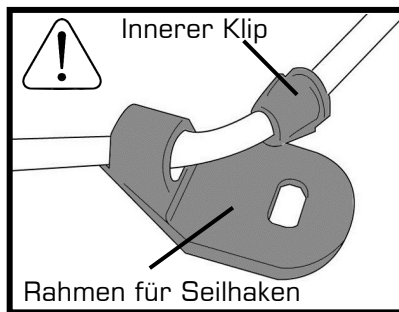
Drehen Sie den Einstellgriff auf STUFE 2. Halten Sie die Tasten 「ZURÜCKSETZEN」. Der Monitor zeigt jetzt STUFE 『3』. Dass die Kalibrierung für STUFE 2 abgeschlossen ist.

## SCHRITT 4

Wiederholen 3,4,5,,6,7,8,9,10

Stufe 5 Drücken Sie Reset. Level 5 bleibt erhalten. Dass die Kalibrierung für abgeschlossen ist.

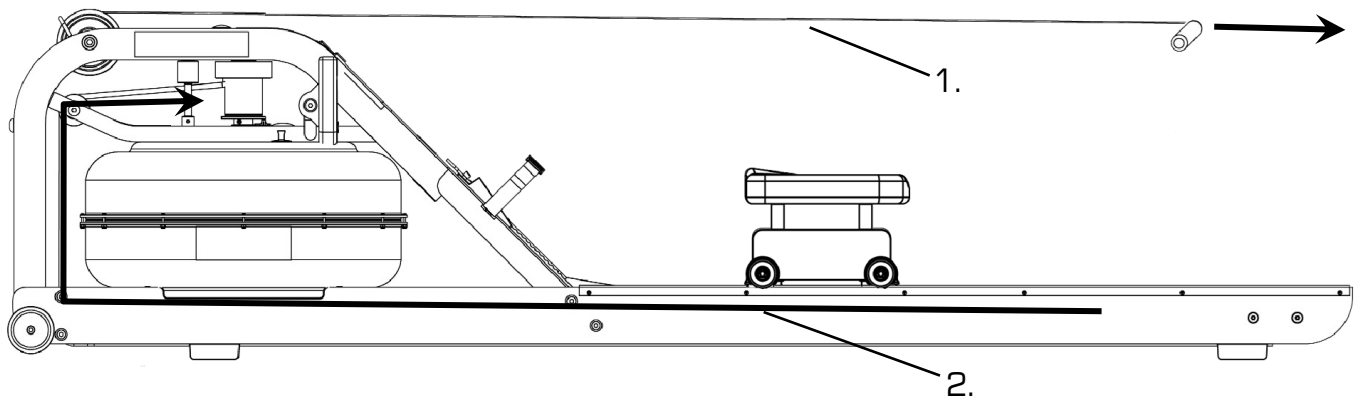
## » Abnehmen des Rudergurtes



1. Um den Gurt abzunehmen ziehen sie einfach weiter als die normale Ruderlänge ist bis sich der Gurt von der Gurtrolle zu lösen beginnt.

**Tipp:** Sie können das öffnen des Klettverschlusses hören, sobald sich der Gurt zu lösen beginnt.

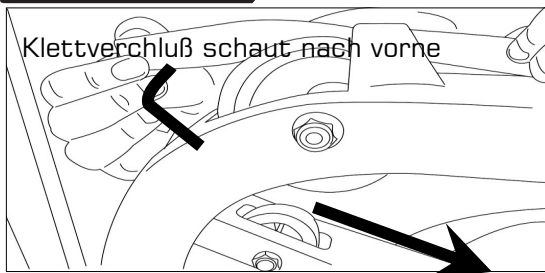
2. Nehmen sie den Haken aus der Halterung am hinteren Fuß und drücken sie den inneren Klip nach unten. Drücken sie das Seil durch den Klip bis es frei wird. Dadurch wird ermöglicht, dass das Seil komplett aus dem Hauptrahmen und dem Gurtrad ausgeführt wird und sich somit spatter wieder richtig dort anbringen läßt, sobald der Rudergurt wieder in der richtigen Position ist.





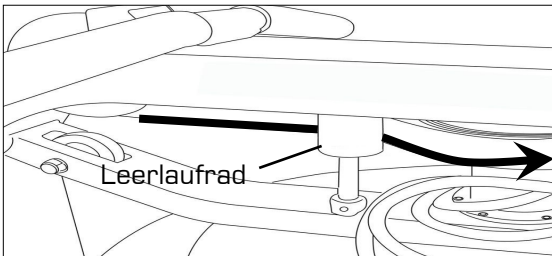
# » Montieren des Rudergurtes

## SCHRITT 1



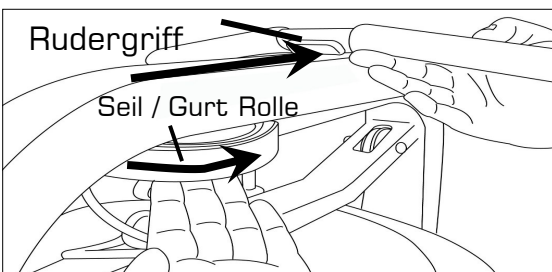
Beginnen sie mit dem Wiedereinbau des Gurtes in dem sie den Gurt wieder auf die Rolle aufrollen. Achten sie dabei darauf, dass der Klettverschluss nach vorne sieht, so wie in der Abbildung dargestellt.

## SCHRITT 2



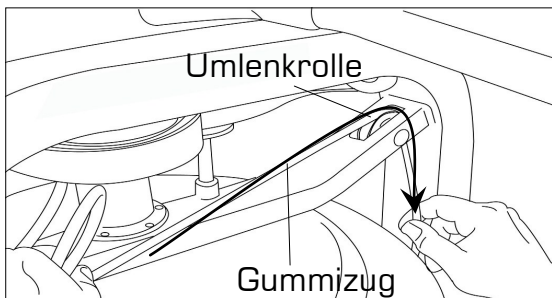
Als nächstes fädeln sie den Gurt um das Leerlaufrad. Sobald der Gurt um das Leerlauf-rad geführt ist befestigen sie ihn am Gurt und Seilrad. Die korrekte Stelle ist mittels eines klar sichtbaren Rand gekennzeichnet.

## SCHRITT 3



Rollen sie den Rudergurt solange auf die Gurt/ Seilrolle auf bis sich der Rudergriff auf seiner vordersten Position befindet.

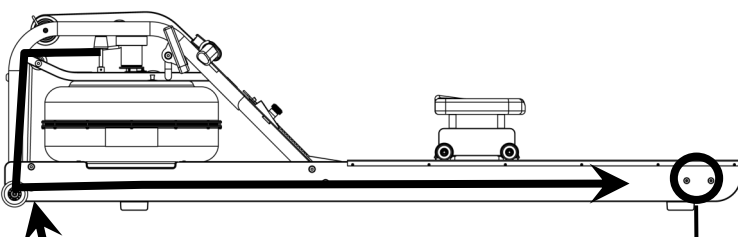
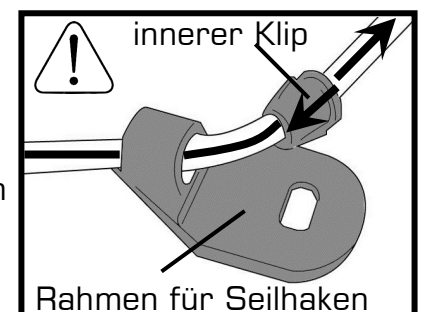
## SCHRITT 4



Fädeln sie das Seil (auf der anderen Seite des Leerlaufrades) zurück durch die Umlenkrolle und den mittleren Fuß. Befestigen sie den Rahmen für den Seilhaken wieder und haken sie das Seil am dafür vorgesehenen Haken an der hinteren Querstrebe ein.

## SCHRITT 5

Die Rückzugstärke kann sehr einfach an die individuellen Bedürfnisse eingestellt werden. Um Einstellungen vorzunehmen schieben sie einfach den inneren Klip nach unten aus dem Rahmen für den Seilhaken und ziehen sie die gewünschte Länge an Seil durch und fixieren sie den Rahmen mit dem Klip wieder am Seil.



**Hinweis:** Bevor sie den inneren Klip und den Rahmen für den Seilhaken wieder montieren können sie zuerst unter leichter Spannung einen Knoten am mittleren Fuß machen. Dies erleichtert die Montage des Klips und des Rahmnes für den Seilhaken.

## »» **Wartung**

Sämtliche vorbeugenden Wartungsarbeiten müssen regelmäßig durchgeführt werden. Indem routinemäßige vorbeugende Wartungsarbeiten durchgeführt werden, wird ein sicherer, störungsfreier Betrieb sämtlicher FIRST DEGREE FITNESS-Geräte unterstützt.

FIRST DEGREE FITNESS ist nicht verantwortlich für die regelmäßige Überprüfung und Wartungsarbeiten Ihrer Geräte. Unterweisen Sie sämtliches Personal bezüglich Geräteüberprüfung und Wartungsarbeiten und betreffend.

Meldung/Protokollierung von Unfällen. Mitarbeiter von FIRST DEGREE FITNESS stehen Ihnen zur Verfügung, um alle möglichen Fragen zu beantworten.

### **Wartungsplan**

Position	Zeitraumen	Anweisungen	Notizen
Sitz und Sitzschienen	Wöchentlich	Sitzschienen mit einem fusselfreien Tuch abwischen	
Rahmen	Wöchentlich	Rahmen mit einem fusselfreien Tuch abwischen	
Tank und Wasseraufbereitung	12 Monate bis 2 Jahre	Siehe Anweisungen unter „Wasseraufbereitungsverfahren“ in diesem Handbuch	
Gummiseil	Alle 100 Betriebsstunden auf Spannung und Verschleißerscheinungen überprüfen.	Das Gummiseil hält normalerweise viele Jahre. Kontaktieren Sie zum Austausch des elastischen Riemens bitte den Kundendienst vor Ort oder suchen Sie auf <a href="http://www.firstdegreefitness.com">www.firstdegreefitness.com</a> nach Unterstützung.	
Ruderriemen	Alle 100 Betriebsstunden auf Spannung und Verschleißerscheinungen überprüfen.	Der Ruderriemen hält normalerweise viele Jahre. Zum Austausch des Ruderriemens bitte den Kundendienst vor Ort kontaktieren oder auf <a href="http://www.firstdegreefitness.com">www.firstdegreefitness.com</a> nach Unterstützung suchen.	



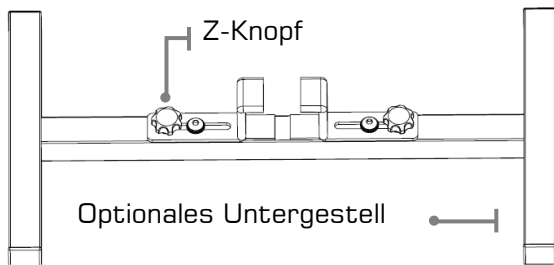
## » Fehlerbehebung

Fehler	Vermutliche Ursache	Lösung
Das Wasser verändert die Farbe oder enthält Schwebstoffe.	Das Rudergerät ist direktem Sonnenlicht ausgesetzt und es wurde keine Wasserbehandlung durchgeführt.  Das verwendete Leitungswasser ist von schlechter Qualität.	Stellen Sie den Rower an einer Stelle ohne direktes Sonnenlicht auf. Führen Sie die Wasserbehandlung oder einen Wassertausch durch so wie im Kapitel "Wasserbehandlung und Tankbefüllung" erklärt.
Der Rudergurt rutscht von der Gurttrolle.	Der Gummizug hat nicht genug Spannung.  Rückzug ist nicht stark genug eingestellt.	Erhöhen Sie die Spannung des Gummizugs so wie im Kapitel "Austausch des Gummizugs" erklärt.
Instabile Anzeigen auf dem Rower Computer für 500 meter split time and SPM (Ruderschläge pro Minute).	Sensorabstand  fehlerhafter Sensor  Sensor wurde aus der korrekten Position geschoben  Problem mit der Verkabelung	Verwenden Sie die hintere Abdeckung des Computer als Werkzeug um den Abstand zwischen dem Sensorkopf und dem magnetischen Ring zu überprüfen bzw. kontrollieren Sie ob der Sensorkopf nicht aus seiner korrekten Position verschoben worden ist.  Bitte kontaktieren Sie Ihr nächstes FDF Kundenservicezentrum für weitere Details.
Die Anzeige des Rower Computers zeigt nach einem Batterie-wechsel nichts an.	Die Batterien sind nicht richtig eingelegt oder bereits verbraucht.	Legen sie neue Batterien in richtiger Position nochmal ein. Falls die LCD Anzeige noch immer nichts anzeigt versuchen Sie die Batterien leicht im Gehäuse zu drehen. Sollte danach immer noch keine Anzeige erscheinen kontaktieren Sie bitte Ihren Fachhändler.
Rower Computer zeigt zwar Funktion an, spricht aber auf die Ruderbewegung nicht an.	Lockere oder gar keine Verbindung.	Überprüfen Sie die Steckverbindungen und Kabel. Sollte dies zu keinem Ergebnis führen kontaktieren Sie bitte Ihren Fachhändler.

# » Befestigungssatz Montageanleitung

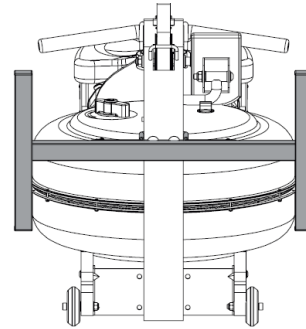
## SCHRITT 1

- Installieren Sie die Z-Winkel auf die Optionales Untergestell
- Hinweis: den Knopf und die Schraube nicht festziehen.



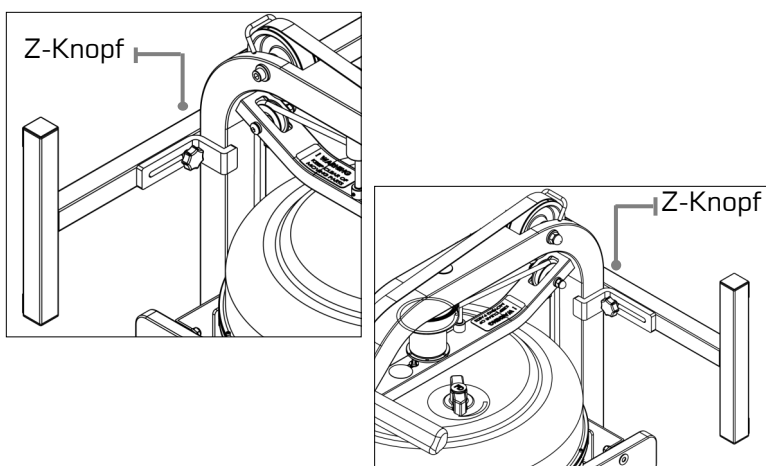
## SCHRITT 2

Installieren Sie die Halterung auf die Ruderer, wie dargestellt.



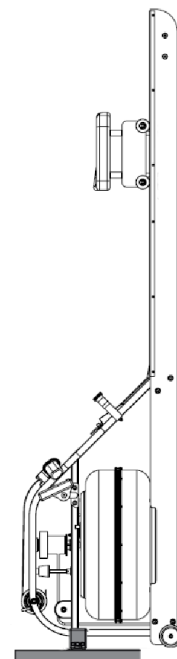
## SCHRITT 3

- Ziehen Sie die Halterung Z-Knopf, um die Ruderer zu beheben
- Hinweis: Sicherstellen, dass die Z-Knopf ist vor dem Anziehen sicher.



## SCHRITT 4

Stehen die Ruderer vertical. Verwenden 8mm Innensechskantschlüssel (im Produkt-Kit im Lieferumfang enthalten), um die Schraube festziehen.



## INTERNATIONAL GARANTIE – KOMMERZIELLE NUTZUNG

FIRST DEGREE FITNESS Limited garantiert, dass der **Apollo PRO XL & Viking PRO XL (model APPX & VKPX)**, sofern in unbeschädigter Originalverpackung bei einem autorisierten Händler gekauft, frei von Material- und Herstellungsfehler ist. FIRST DEGREE FITNESS oder seine Händler werden nach ihrem eigenen Ermessen fehlerhafte Teile innerhalb der Garantiezeit so wie in den unten angeführten Bedingungen dargestellt reparieren oder austauschen.

### **Metall- und Holzrahmen - 5 Jahre eingeschränkte Garantie**

FIRST DEGREE FITNESS repariert oder ersetzt den Metallhauptrahmen des Gerätes falls dieser auf Grund von Material- oder Herstellungsfehlern innerhalb von 5 Jahren ab dem ursprünglichen Kaufdatum einen Defekt erleidet. Diese Garantie gilt nicht für die Oberflächenbeschichtung des Rahmens.

### **Polykarbonattank und Dichtungen - 5 Jahre eingeschränkte Garantie**

FIRST DEGREE FITNESS repariert oder ersetzt den Polykarbonattank oder die Dichtungen, falls diese auf Grund von Material- oder Herstellungsfehlern innerhalb von 5 Jahren ab dem ursprünglichen Kaufdatum einen Defekt erleiden.

### **Mechanische Komponenten (nicht verschleißend) – 2 Jahre eingeschränkte Garantie**

FIRST DEGREE FITNESS repariert oder ersetzt alle mechanischen Komponenten, falls diese auf Grund von Material- oder Herstellungsfehlern innerhalb von 2 Jahren ab dem ursprünglichen Kaufdatum einen Defekt erleiden.

### **Speziell in die Garantie eingeschlossen:**

Laufschiene für Sitz aus  
Stainless Schaufelrad - Einheit aus rostfreiem Stahl

### **Alle anderen Komponenten (verschleißend) – 1 Jahre eingeschränkte Garantie**

FIRST DEGREE FITNESS repariert oder ersetzt alle anderen Komponenten, falls diese auf Grund von Material- oder Herstellungsfehlern innerhalb von 1 Jahren ab dem ursprünglichen Kaufdatum einen Defekt erleiden.

### **Speziell in die Garantie eingeschlossen**

Gummizug  
Handgriffe und Fußriemen  
Rudergurt aus Polyester  
Sitz  
Alle Riemenscheiben, Rollen und Lager  
Alle Teile aus Gummi  
Computer & Geschwindigkeitssensor (außen genommen der ersetzbaren Batterien)  
Fußrasten (schwenken & gleiten)

### **Generell von der Garantie ausgeschlossen**

Oberflächenschäden an allen Geräteteilen  
Durch Nachlässigkeit, Missbrauch und falsche Benutzung des Gerätes verursachte Schäden  
Alle Fracht- oder Zollgebühren in Verbindung mit Rücksendung oder Versendung von Teilen  
Alle Schäden aller Art oder Verluste von Teilen während des Transportes jeglicher Art  
Alle Arbeitskosten in Verbindung mit einer Garantieforderung

### **Allgemeine Bedingungen**

- Die Seriennummer der Maschine muss korrekt bei FIRST DEGREE FITNESS Limited oder einem der autorisierten Händler registriert sein
- FIRST DEGREE FITNESS Limited behält sich das Recht vor, alle Teile, für die im Rahmen der Garantie ein Austausch gefordert wird, zu untersuchen.
- Die Garantie gilt nur für den Erstkäufer ab dem Kaufdatum und ist nicht übertragbar.
- Das Produkt muss in seiner Originalverpackung an den Ort des Kaufes zurückgeschickt werden, wobei Sie für Transportkosten, Versicherung und damit verbundene Gebühren aufkommen und das Verlust- oder Beschädigungsrisiko tragen.
- FIRST DEGREE FITNESS gewährt keine weiteren Garantien als die hier aufgeführten und weist alle nicht in dieser Garantieurkunde genannten Garantien zurück. Weder FIRST DEGREE FITNESS noch seine Partner werden für weiter direkte oder indirekte Schäden haftbar gemacht.
- Die Herstellergarantie beginnt automatisch ab dem Moment des Kaufes des Produktes zum Endverbraucher oder nach einem (1) Jahr gerechnet vom Monat der Herstellung, je nach dem was zuerst Eintritt.



FIRST DEGREE FITNESS  
*Fluid* INNOVATION

*FITNESS PRODUCTS INSPIRED BY REAL LIFE*

[WWW.FIRSTDEGREEFITNESS.COM](http://WWW.FIRSTDEGREEFITNESS.COM)

FIRST DEGREE FITNESS Europe

Hoge Maat 3

3961 NC WIJK BIJ DUURSTED

The Netherlands

Phone: [+31\(0\)307600670](tel:+31(0)307600670)

Büro: [mail@fluidrower.eu](mailto:mail@fluidrower.eu)

Service Unterstützung: [service@fluidrower.eu](mailto:service@fluidrower.eu)

Web: [www.fluidrower.eu](http://www.fluidrower.eu)

